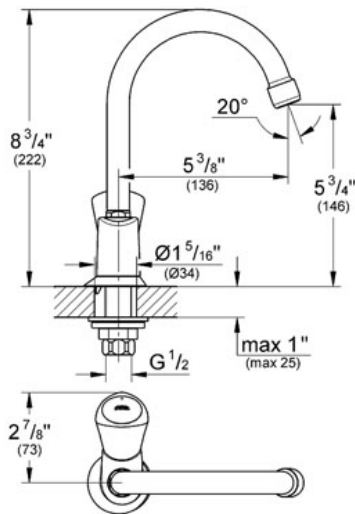


CLASSIC II
Pillar tap
MODEL # 20179

Pure Freude an Wasser



GROHE America, Inc | 200 North Gary Avenue, Suite G, Roselle, IL 60172
Phone: +1 (800) 444-7643 | Fax: +1 (800) 225-2778 | us-customerservice@grohe.com



Product Description:
Pillar tap

- Standard Specification:**
- GROHE StarLight® finish
 - Grip metal handle
 - Heat-insulated
 - Threaded
 - Ceramic cartridge
 - Swivel Spout
 - Flow straightener
 - 1/2" union nut with 7/16" drilling
 - Max Flow Rate 1.75 gpm (6.6 L/min)

- Applicable Codes & Standards:**
- Energy Policy Act of 1992
 - NSF 61
 - ASME A112.18.1/CSA B125.1
 - US Federal and State material regulations

- Color:**
- 20179 001 chrome

