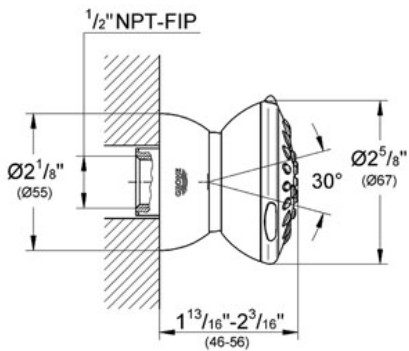


GROHE ONDUS®/RELEXA 65
MASSAGE NPT
Side Shower 2 Sprays
MODEL # 27070

Pure Freude an Wasser



GROHE America, Inc | 200 North Gary Avenue, Suite G, Roselle, IL 60172
Phone: +1 (800) 444-7643 | Fax: +1 (800) 225-2778 | us-customerservice@grohe.com



Product Description:
Side Shower 2 Sprays

Standard Specification:

- GROHE StarLight® finish
- SpeedClean anti-lime system
- 2 adjustable sprays: Wide Spray / Massage
- 1/2" NPT Female Threads
- Ball-joint
- Max Flow Rate 2.5 gpm (9.5 L/min)

Applicable Codes & Standards:

- Energy Policy Act of 1992
- ASME A112.18.1/CSA B125.1

Color:

- 27070 000 chrome
- 27070 EN0 Brushed Nickel
- 27070 ZB0 Oil Rubbed Bronze