

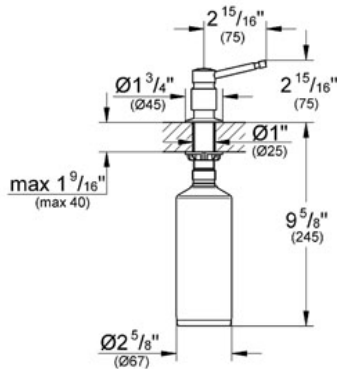
# Soap Dispenser

MODEL # 28857

*Pure Freude an Wasser*

**GROHE**

GROHE America, Inc | 200 North Gary Avenue, Suite G, Roselle, IL 60172  
Phone: +1 (800) 444-7643 | Fax: +1 (800) 225-2778 | us-customerservice@grohe.com



## Product Description: Soap Dispenser

### Standard Specification:

- GROHE StarLight® finish
- Capacity 15 oz.
- Brass Head and Flange
- One Piece Cartridge Pump Unit

### Applicable Codes & Standards:

- Energy Policy Act of 1992
- ASME A112.18.1/CSA B125.1

### Color:

- 28857 000 chrome
- 28857 SD0 GROHE RealSteel®