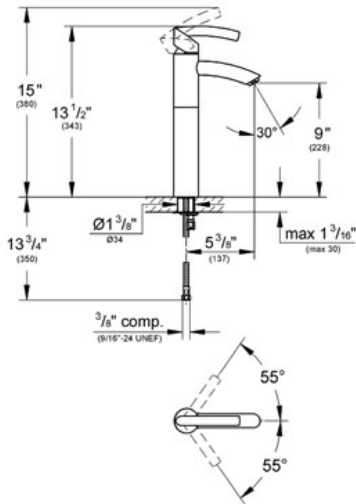


TENSO
Lavatory Centerset
MODEL # 32425

Pure Freude an Wasser



GROHE America, Inc | 200 North Gary Avenue, Suite G, Roselle, IL 60172
Phone: +1 (800) 444-7643 | Fax: +1 (800) 225-2778 | us-customerservice@grohe.com



Product Description:
Lavatory Centerset

Standard Specification:

- GROHE StarLight® finish
- GROHE WaterCare™
- For free-standing bath sinks
- Stainless Steel Braided Flexible Supplies
- Quick installation system
- Max Flow Rate 1.5 gpm (5.7 L/min)

Color:

- 32425 000 chrome
- 32425 EN0 Brushed Nickel

