

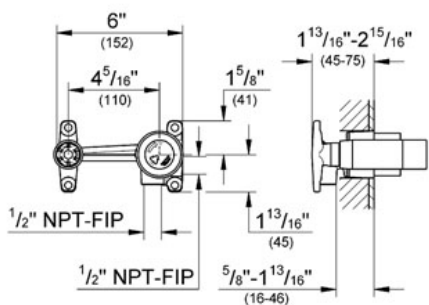
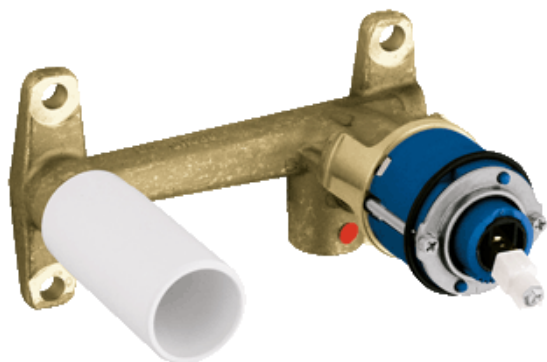
Single-lever mixer 1/2", concealed body

MODEL # 33780

Pure Freude an Wasser



GROHE America, Inc | 200 North Gary Avenue, Suite G, Roselle, IL 60172
 Phone: +1 (800) 444-7643 | Fax: +1 (800) 225-2778 | us-customerservice@grohe.com



Product Description:
 Single-lever mixer 1/2", concealed body

- Standard Specification:**
- GROHE SilkMove® ceramic cartridge
 - GROHE WaterCare™
 - GROHE StarLight® finish
 - 1/2" NPT Female Inlets
 - Center to Center
 - Case Brass Construction
 - For vessel sink pop-up drain refer to 65 818
 - Max Flow Rate 2.2 gpm at 60 psi (8.3 L/min), 2.5 gpm at 80 psi (9.5 L/min)

- Applicable Codes & Standards:**
- Energy Policy Act of 1992
 - NSF 61
 - ASME A112.18.1/CSA B125.1
 - US Federal and State material regulations

Color:
 33780 000 chrome

