

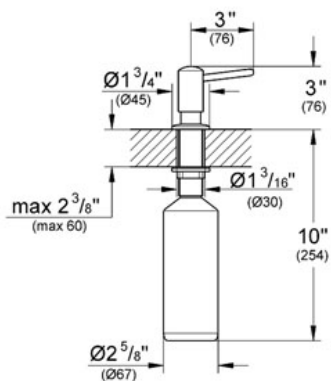
# Contemporary Soap Dispenser

MODEL # 40536

*Pure Freude an Wasser*

**GROHE**

GROHE America, Inc | 200 North Gary Avenue, Suite G, Roselle, IL 60172  
Phone: +1 (800) 444-7643 | Fax: +1 (800) 225-2778 | us-customerservice@grohe.com



**Product Description:**  
Contemporary Soap Dispenser

- Standard Specification:**
- GROHE StarLight® finish
  - For liquid soaps
  - Storage bin 0.1g

- Applicable Codes & Standards:**
- Energy Policy Act of 1992
  - ASME A112.18.1/CSA B125.1

- Color:**
- 40536 000 chrome
  - 40536 DC0 supersteel