

**Allegro E**  
**Pot Filler, Deck-Mounted**  
 Finishes : **steel optic** Part no. : **04060860**



**Description**

**Features**

- Swivel range 360°
- Aerated spray
- Free-standing installation
- Flow: 2.5 GPM (9.5 L/Min)
- 90° ceramic valves
- 1/2" NPT
- California Low Lead / Section 116875 CHSC

**Item details**

List Price \$ 1,247.00

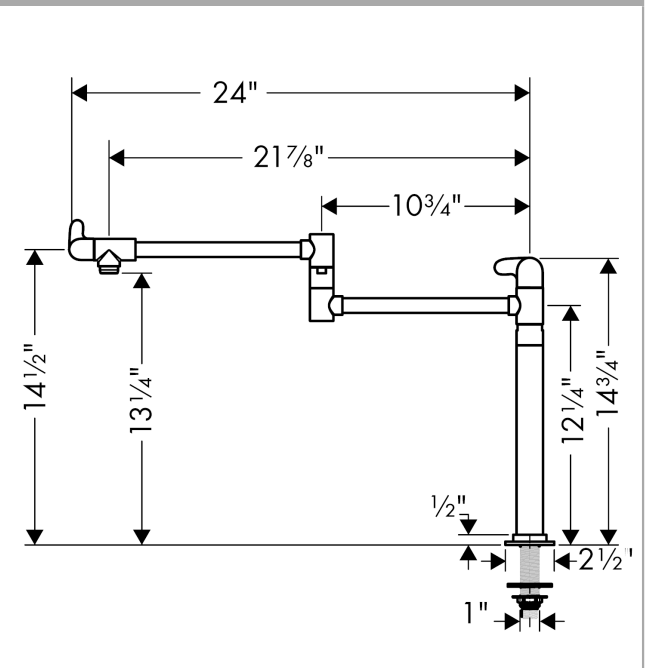
**Compliance**



**Product image**



**Scale drawing**

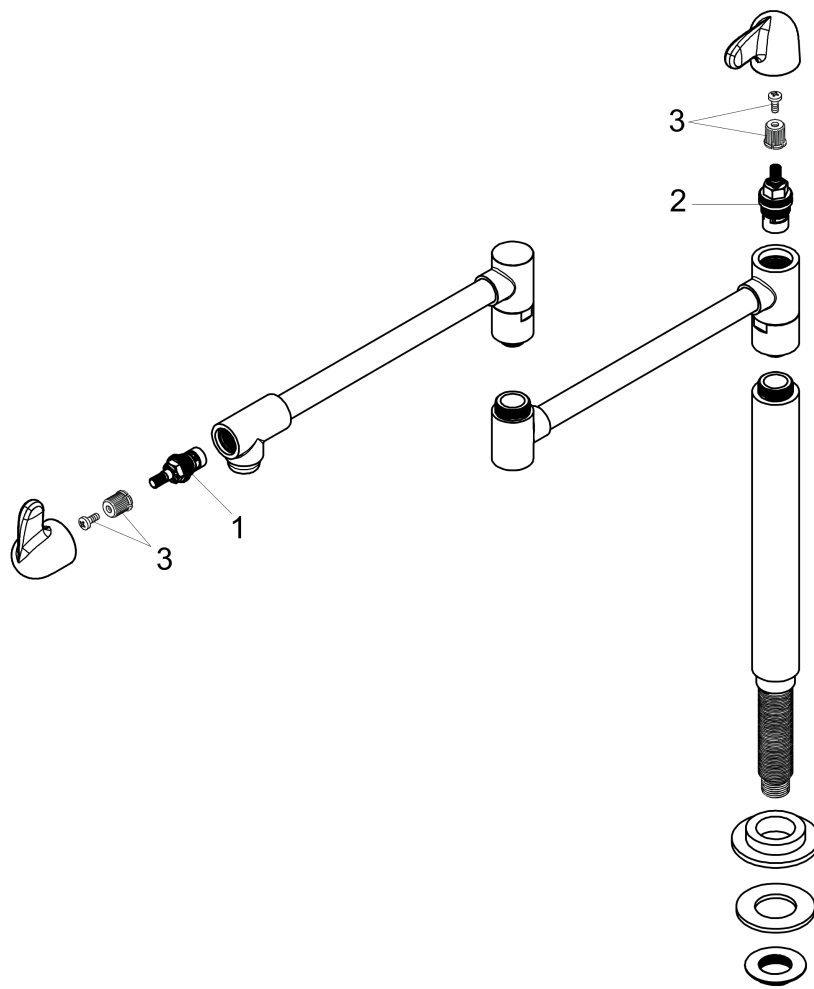


**Allegro E**  
**Pot Filler, Deck-Mounted**  
Finishes : **steel optic**    Part no. : **04060860**



Exploded drawing

Year of production: >08/08



**Allegro E**  
**Pot Filler, Deck-Mounted**  
 Finishes : **steel optic**    Part no. : **04060860**



**Spare parts list**

Year of production: >08/08

Pos.	Description	Part no.	Price	PU
1	shut off unit	88789000	-	1
2	shut off unit	88790000	-	1
3	handle fixing set	98932000	-	1