

Joleena
Single-Hole Faucet 100 with Pop-Up Drain, 1.2 GPM
 Finishes : **chrome** Part no. : **04771000**



Description

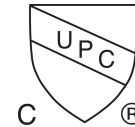
Features

- Aerated spray
- Flow: 1.2 GPM (4.5 L/Min)
- Ceramic cartridge
- Includes pop-up drain
- MASS/Massachusetts
- NSF61/IAPMO/N3016-(No NSF Logo!)
- DOE/FTC
- NSF372(LL)/Iapmo/6738-(No NSF Logo!)
- TECQ/Texas Registered
- ADA/IAPMO/3016
- CEC/California/Watersaving
- WaterSense/IAPMO/5921/Lavs

Technology



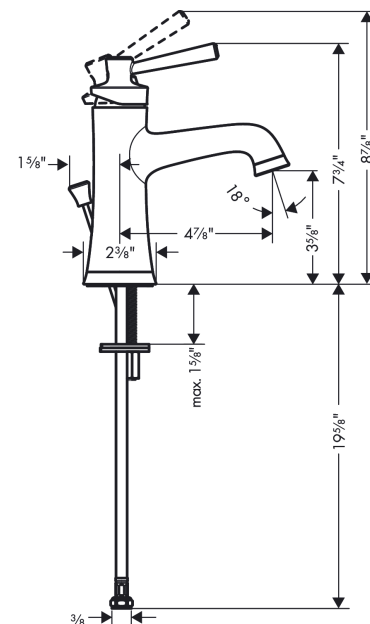
Compliance



Product image



Scale drawing

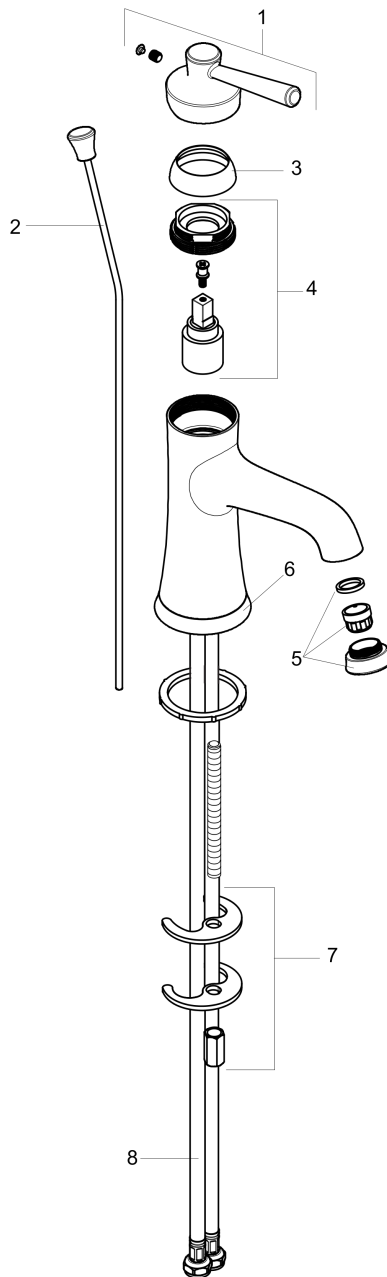


Joleena
Single-Hole Faucet 100 with Pop-Up Drain, 1.2 GPM
Finishes : **chrome** Part no. : **04771000**



Exploded drawing

Year of production: >06/19



Joleena
Single-Hole Faucet 100 with Pop-Up Drain, 1.2 GPM
 Finishes : **chrome** Part no. : **04771000**



Spare parts list

Year of production: >06/19

| Pos. | Description | Part no. | PC | PU |
|------|---------------------------|----------|----|----|
| 1 | handle | 93534000 | 0 | 1 |
| 2 | pull rod | 93529000 | 0 | 1 |
| 3 | flange | 93273000 | 0 | 1 |
| 4 | cartridge, assy | 93268000 | 0 | 1 |
| 5 | aerator M24x1 (4,5 l/min) | 93531001 | 0 | 1 |
| 6 | escutcheon | 93530000 | 0 | 1 |
| 7 | fixing set | 96016000 | 0 | 1 |
| 8 | connection hose 600 mm | 93528001 | 0 | 1 |
| a | pop up waste | 88509000 | 0 | 1 |