

**Ecostat E**  
**Pressure Balance Trim**

Finishes : **brushed nickel** Part no. : **15718821**



**Description**

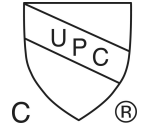
**Features**

- Flow: 5.5 GPM (20.6 L/Min)
- Integrated bypass for use with diverter tub spouts
- Temperature and on/off control for 1 outlet

**Item details**

List Price \$ 288.00

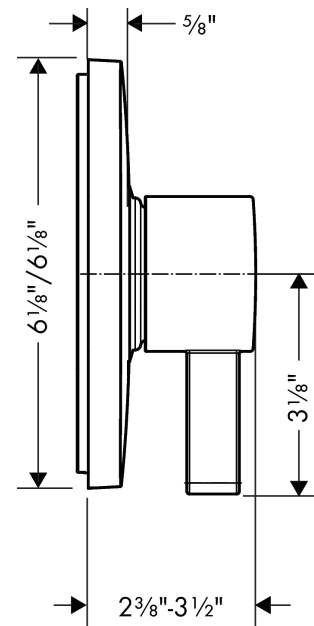
**Compliance**



**Product image**



**Scale drawing**



**Ecostat E**

**Pressure Balance Trim**

Finishes : **brushed nickel**

Part no. : **15718821**



**Exploded drawing**

Year of production: **>07/18**

