

Brand hansgrohe
Art. Name **Ecostat E** Pressure Balance Trim
Art. Nr. 15718821
Surface Brushed Nickel
Pos. 1

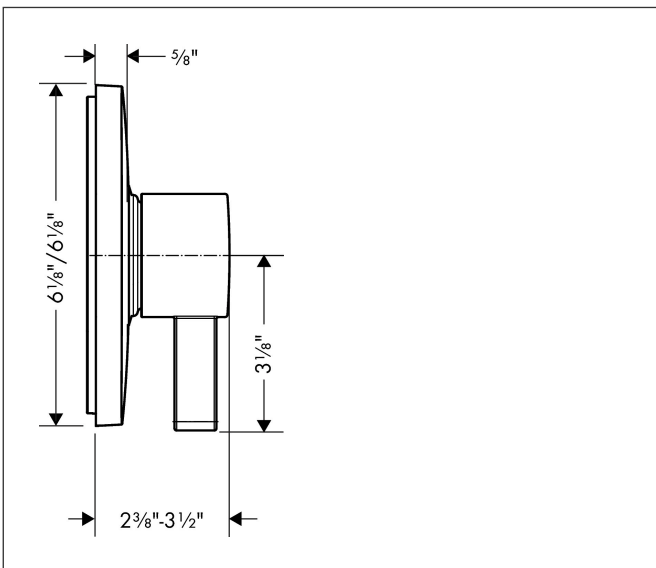
Product Picture



Features

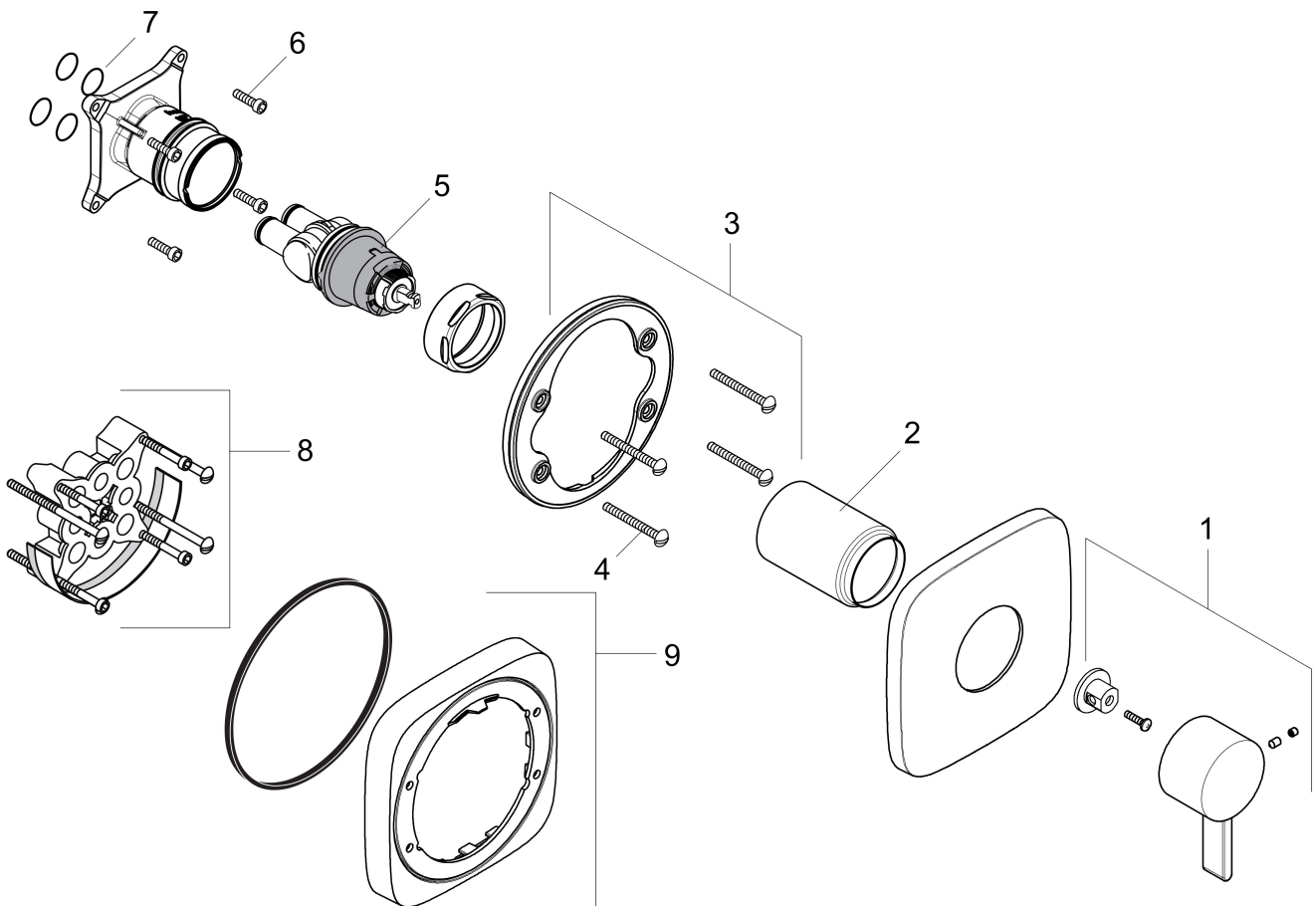
- Temperature and volume control for 1 outlet
- Maximum flow rate (at 3 bar): 20.6 l/min
- Bypass for use with diverter-type tub spouts
- Connection type: base set

Drawing



Brand hansgrohe
Art. Name **Ecostat E** Pressure Balance Trim
Art. Nr. 15718821
Surface Brushed Nickel
Pos. 1

Spare Parts Drawings for build year: >07/18



Brand hansgrohe
 Art. Name **Ecostat E** Pressure Balance Trim
 Art. Nr. 15718821
 Surface Brushed Nickel
 Pos. 1

Spare parts list for build year: >07/18

Pos.	Description	Article number
1	handle	88763820
2	sleeve	88765820
3	holder for escutcheon	98793000
4	set of fixing screws	96454000
5	cartridge, assy	88727000
6	set of screws	96525000
7	O-ring 16x2	98133000
8	extension 25 mm	13595000
9	extension 22 mm (Ø 150 mm)	13597820