

**ShowerSelect S**  
**Thermostatic Trim for 1 Function, Round**  
 Finishes : **chrome** Part no. : **15744001**



**Description**

**Features**

- Select push-button on/off control for 1 outlet
- Flow: 7.00 GPM (26.5 L/Min)
- Thermostatic cartridge, Start/stop cartridge
- Anti-scald 100° safety stop
- Optimized for water-efficient shower products

**Item details**

List Price \$ 621.00

**Technology**



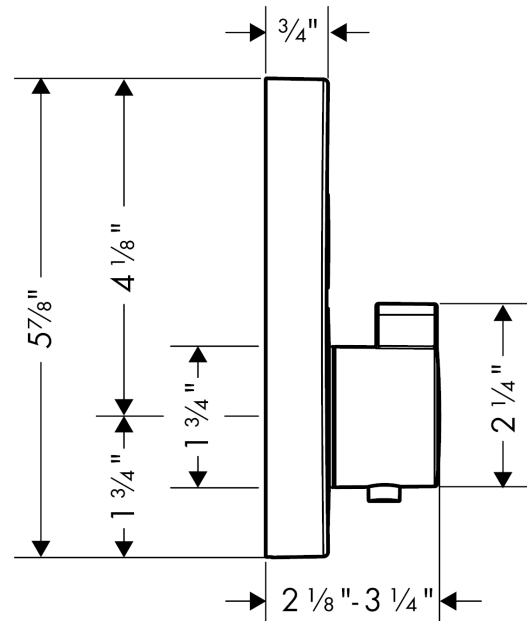
**Compliance**



**Product image**



**Scale drawing**

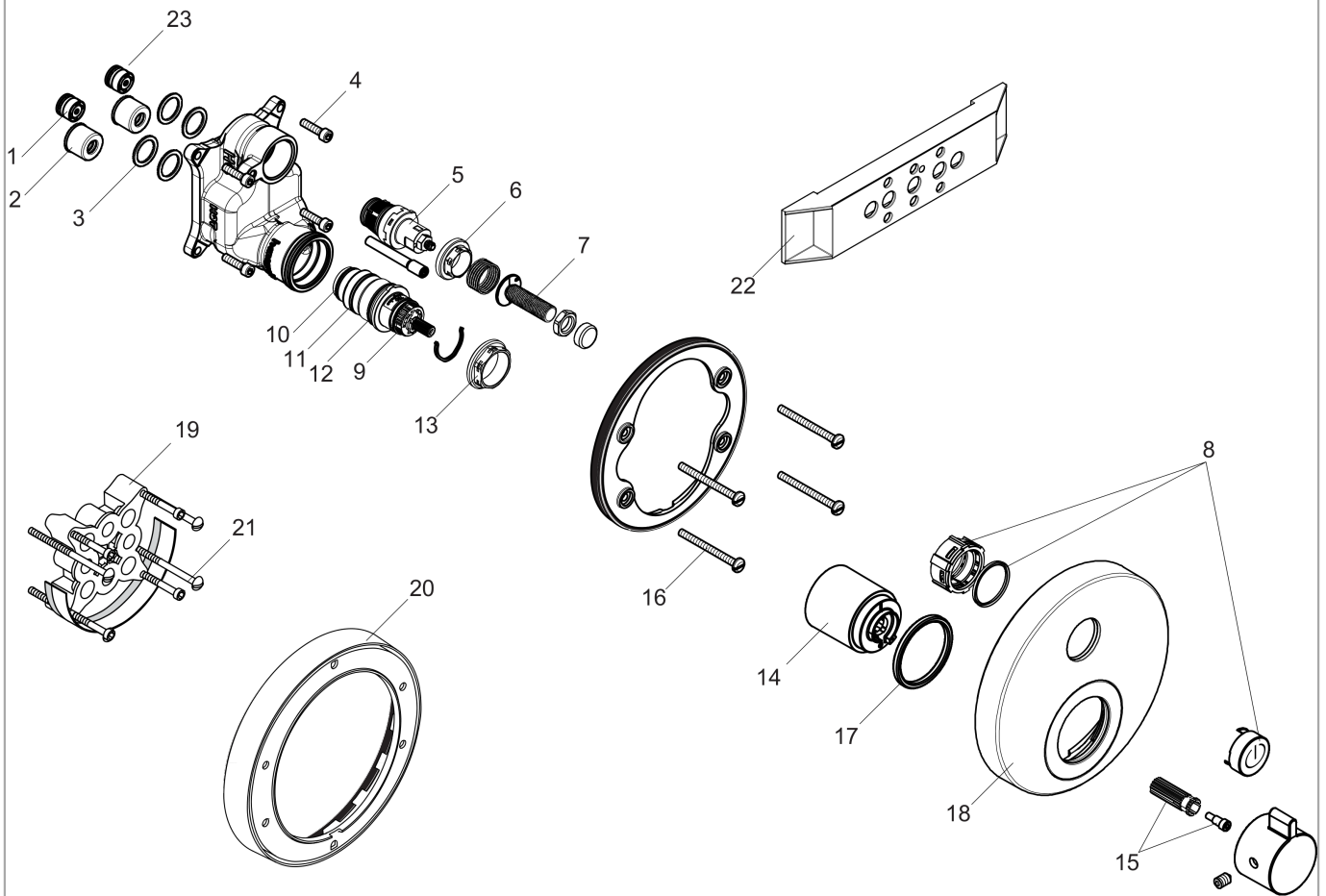


**ShowerSelect S**  
**Thermostatic Trim for 1 Function, Round**  
 Finishes : **chrome**    Part no. : **15744001**



**Exploded drawing**

Year of production: >12/14



**ShowerSelect S**  
**Thermostatic Trim for 1 Function, Round**  
 Finishes : **chrome** Part no. : **15744001**



## Spare parts list

Year of production: >12/14

Pos.	Description	Part no.	Price	PU
1	non return valve	97980000	-	1
2	noise reduction	94073000	-	1
3	O-ring 16x2	98133000	-	1
4	set of screws	96525000	-	1
5	shut off unit	95758000	-	1
6	nut	98368000	-	1
7	Select-adapter	92219000	-	1
8	set of symbols	92218000	-	1
9	thermostat cartridge	98282001	-	1
10	O-ring 20x1,5	98197000	-	1
11	O-ring 25x1,5	98146000	-	1
12	O-ring 25x2,5	92146000	-	1
13	nut	98913000	-	1
14	sleeve	92216000	-	1
15	handle fixing set	95843000	-	1
16	set of fixing screws	96454000	-	1
17	O-ring 44x4	98471000	-	1
18	escutcheon Ø 150 mm	92272001	-	1
19	extension 25 mm	13595000	-	1
20	extension 22 mm (Ø 170 mm)	13596000	-	1
21	set of fixing screws	97747000	-	1
22	fit-up aid	92540000	-	1
23	non return valve (pressure-resistant up to 2 MPa)	92594000	-	1
a	handle for thermostat	92215001	-	1
b	holder for escutcheon	98793000	-	1
c	compensation set 1°	95521000	-	1
d	nut and flange	92696000	-	1
e	symbol head shower Rain large	93571880	-	1
f	symbol head shower Rain small	93572880	-	1
g	symbol handshower	93573880	-	1
h	symbol Flood jet	93574880	-	1
i	symbol Whirl	93575880	-	1
j	symbol Mono	93576880	-	1
k	symbol tub	93577880	-	1
l	symbol body shower	93578880	-	1
m	symbol ON/OFF	93579880	-	1