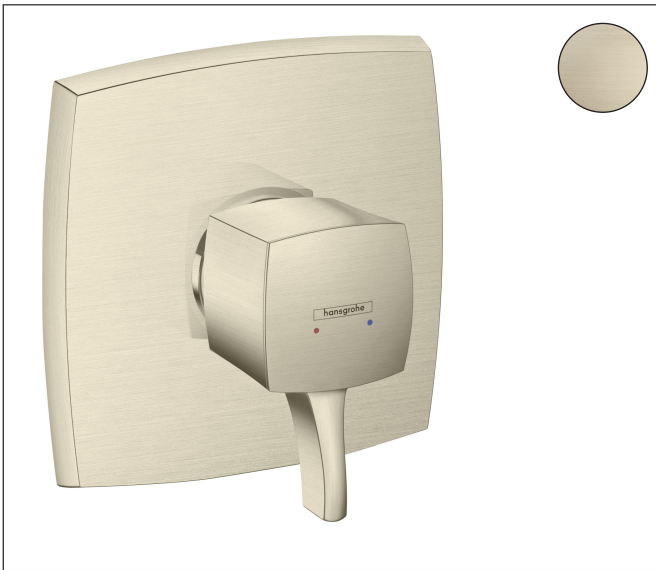


Brand hansgrohe  
Art. Name **Ecostat Classic** Pressure Balance Trim, Square  
Art. Nr. 15769821  
Surface Brushed Nickel  
Pos. 1

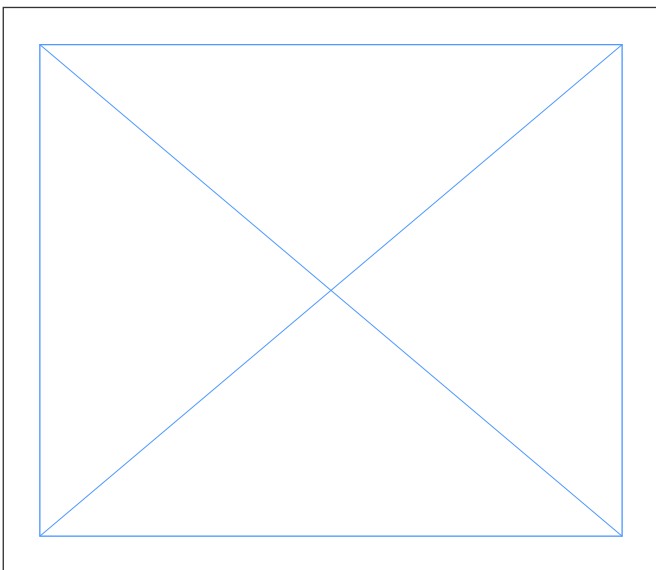
## Product Picture



## Features

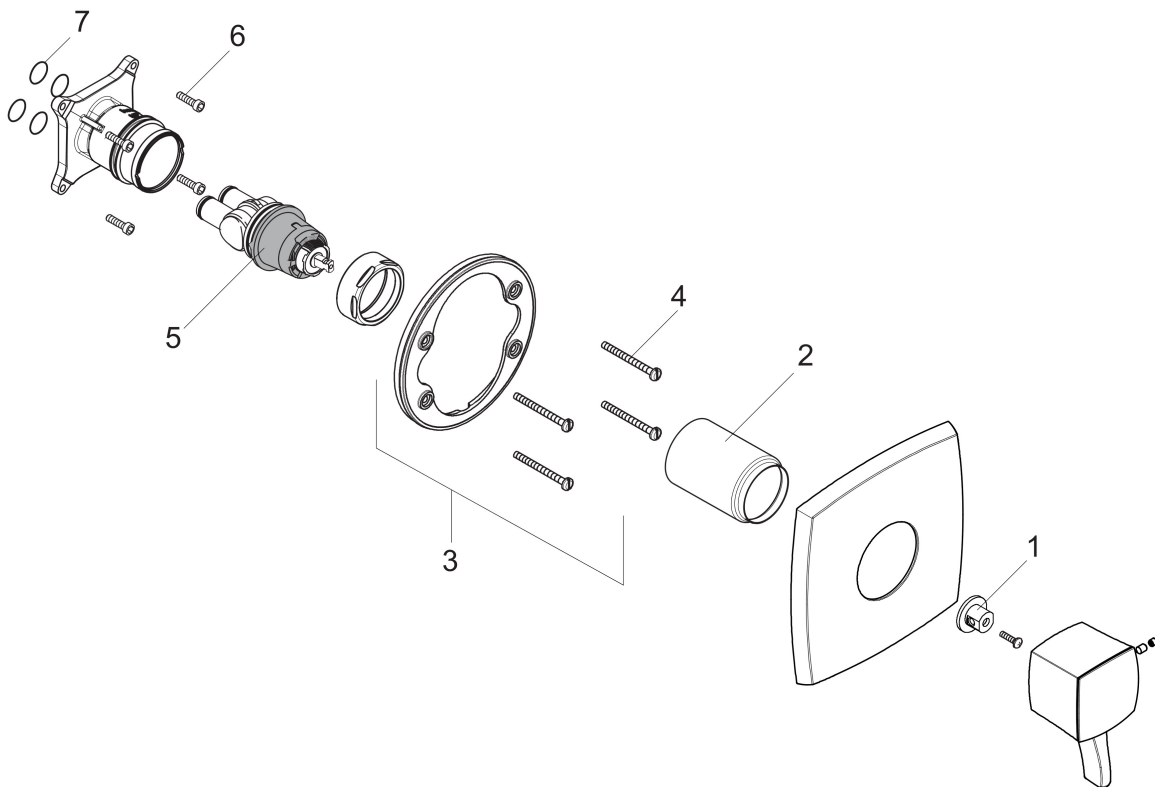
- Temperature and volume control for 1 outlet
- Maximum flow rate (at 3 bar): 20.6 l/min
- Bypass for use with diverter-type tub spouts
- Connection type: base set

## Drawing



Brand hansgrohe  
Art. Name **EcoStat Classic** Pressure Balance Trim, Square  
Art. Nr. 15769821  
Surface Brushed Nickel  
Pos. 1

## Spare Parts Drawings for build year: >01/19



Brand hansgrohe  
 Art. Name **Ecostat Classic** Pressure Balance Trim, Square  
 Art. Nr. 15769821  
 Surface Brushed Nickel  
 Pos. 1

## Spare parts list for build year: >01/19

Pos.	Description	Article number
1	adapter for handle	92756000
2	sleeve	88765820
3	holder for escutcheon	98793000
4	set of fixing screws	96454000
5	cartridge, assy	88727000
6	set of screws	96525000
7	O-ring 16x2	98133000
a	extension 25 mm	13595000
b	set of fixing screws	97747000