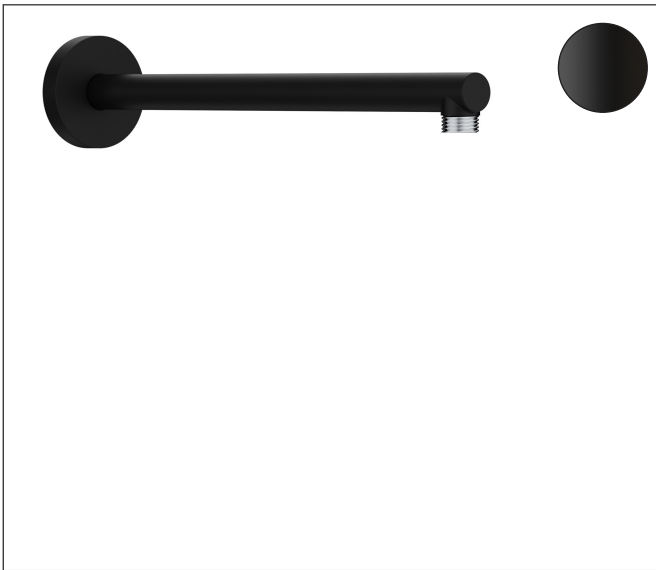


Brand hansgrohe
Art. Name Showerarm, 15"
Art. Nr. 24357671
Surface matte black
Pos. 1

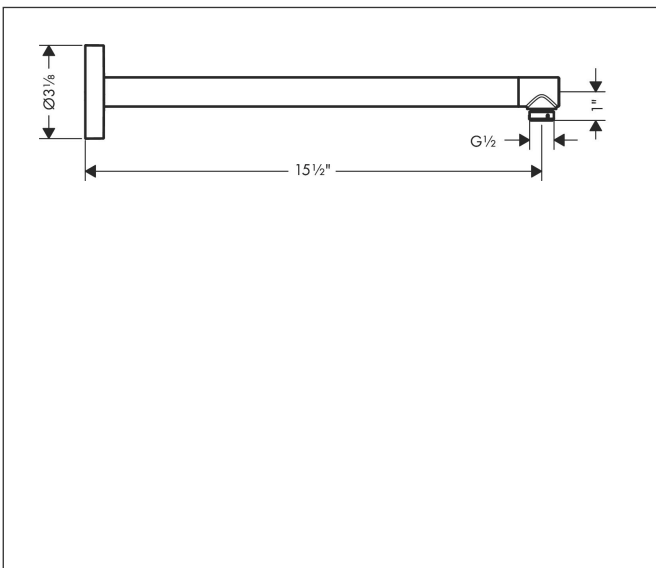
Product Picture



Features

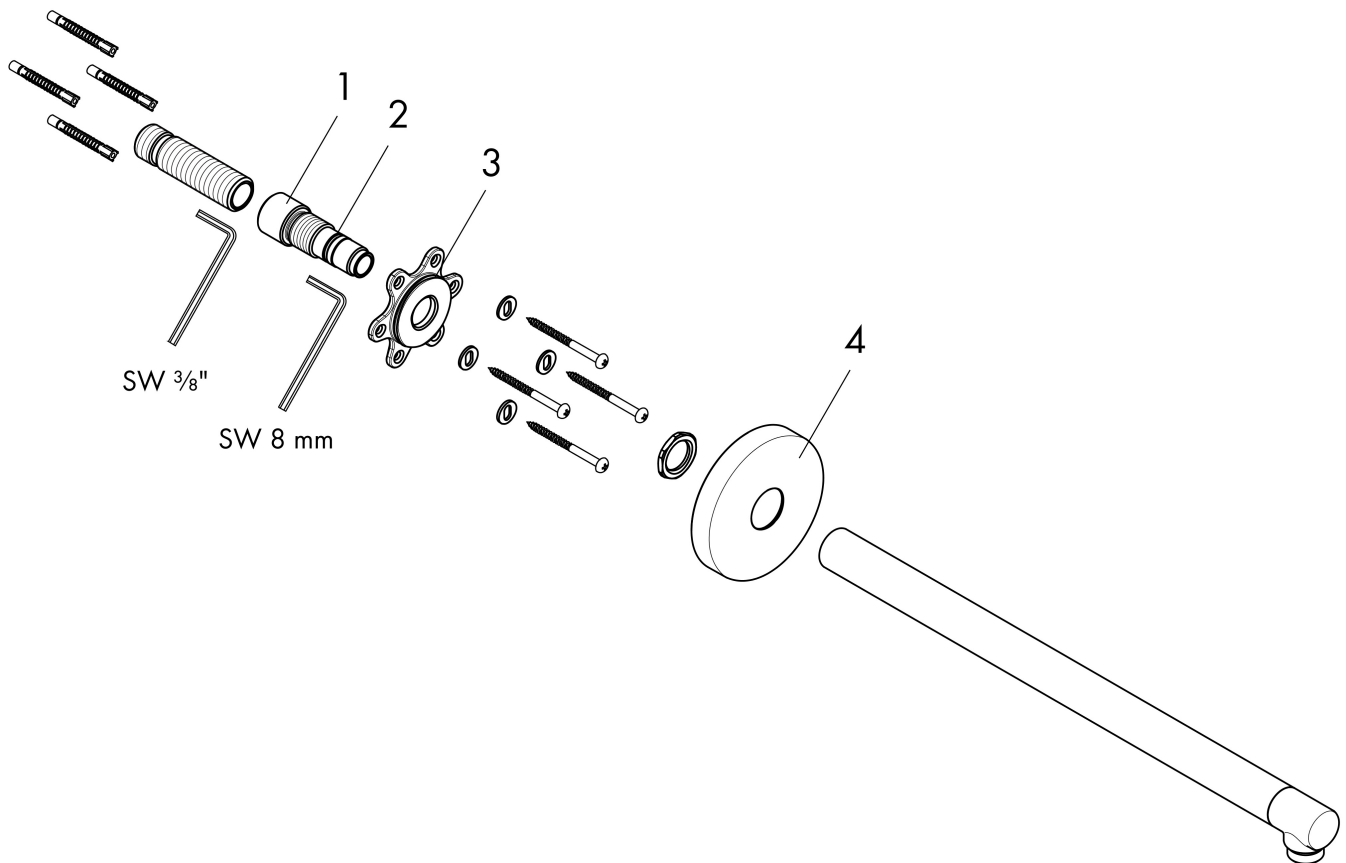
- Length: 390 mm
- Brass/ plastic
- Connection type: 1/2" NPT
- Showerarm, escutcheon, mounting material, installation manual

Drawing



Brand hansgrohe
Art. Name Showerarm, 15"
Art. Nr. 24357671
Surface matte black
Pos. 1

Spare Parts Drawings for build year: >07/23



Brand hansgrohe
 Art. Name Showerarm, 15"
 Art. Nr. 24357671
 Surface matte black
 Pos. 1

Spare parts list for build year: >07/23

Pos.	Description	Article number
1	connecting thread	93418001
2	O-ring 14x2	98129000
3	O-ring 40x2	94689000
4	escutcheon	93827670