

Raindance Select E
Showerpipe 300 with Select Shower Controls, 2.0 GPM
 Finishes : **white/chrome** Part no. : **27126401**



Description

Features

- Flow: 2.0 GPM (7.6 L/Min)
- Outlets may be operated simultaneously (maximum combined flow of 2.0 GPM)
- Shower outlet flow: 2.0 GPM (7.6 L/min)
- Anti-scald 100° safety stop
- Convenient diversion via Select button
- Exposed installation
- Thermostatic cartridge

Item details

List Price \$ 2,027.00

Technology



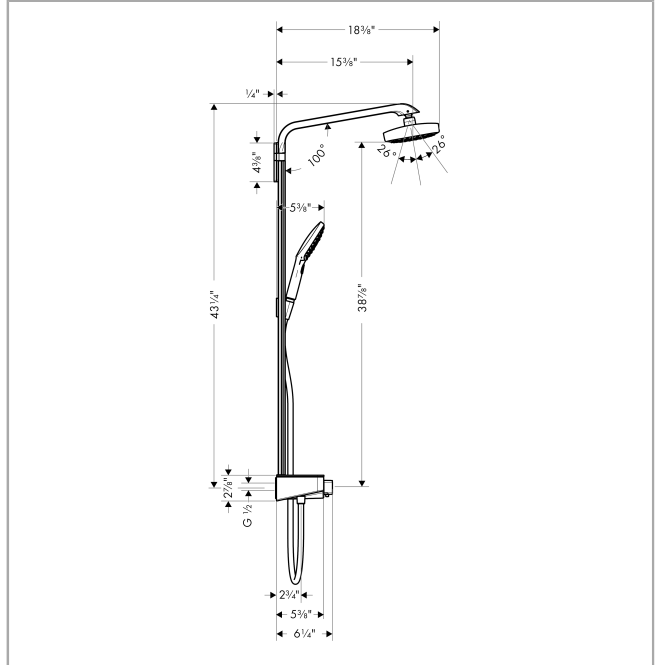
Compliance



Product image



Scale drawing



Raindance Select E
Showerpipe 300 with Select Shower Controls, 2.0 GPM
 Finishes : **white/chrome** Part no. : **27126401**



Spare parts list

Year of production: >10/16

Pos.	Description	Part no.	Price	PU
1	shower arm	92144000	-	1
2	Overhead shower with female thread G½	04534400	-	1
3	seal	98058000	-	1
4	spray body	92126450	-	1
5	selector assy	98343000	-	1
6	filter	97735000	-	1
7	O-ring 3x1	98384000	-	1
8	cover	98344000	-	1
9	handshower	04528400	-	1
10	filter packing	94246000	-	1
11	shower hose 1,60 m	28276003	-	1
12	set of non return valves DW 15	94074000	-	1
13	Hose Connection	96044000	-	1
14	O-ring 14x2	98129000	-	1
15	pipe with cover (900 mm)	92145000	-	1
16	pipe with cover (1000 mm)	92467000	-	1
17	O-ring 9x1,5	98117000	-	1
18	shower holder	28331000	-	1
19	guide	98918000	-	1
20	cover	92142000	-	1
21	tile-matching-disk	92143000	-	1
22	set of symbols	98367000	-	1
23	O-ring 20x1	98140000	-	1
24	nut	98368000	-	1
25	shut off unit	95758000	-	1
26	hollow set screw M6x16 including o-ring 29x3	98372000	-	1
27	handle for thermostat	98369000	-	1
28	safety set	98370000	-	1
29	nut	98913000	-	1
30	thermostat cartridge	98282000	-	1
31	mounting set	96179000	-	1
32	O-ring 17x2	98199000	-	1
33	non return valve (pressure-resistant up to 2 MPa)	95773000	-	1
34	set of S-unions	95772001	-	1
35	noise reduction	96429000	-	1
36	O-ring 29x3	98371000	-	1