

**Croma**  
**Showerpipe 220 1-Jet, 2.5 GPM**  
 Finishes : **brushed nickel** Part no. : **27185821**



## Description

### Features

- Flow: 2.5 GPM (9.5 L/Min)
- Outlets may not be operated simultaneously
- Shower outlet flow: 2.5 GPM (9.5 L/Min)
- Shower arm swivels left and right
- Anti-scald 100° safety stop
- Integrated volume control/diverter for 2 functions
- Exposed installation
- Thermostatic cartridge

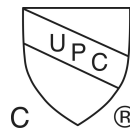
## Item details

List Price \$ 1,301.00

## Technology



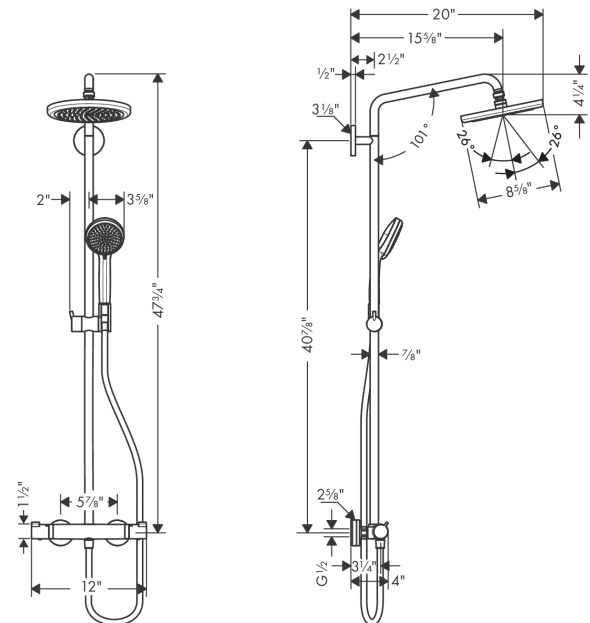
## Compliance



## Product image



## Scale drawing



Croma

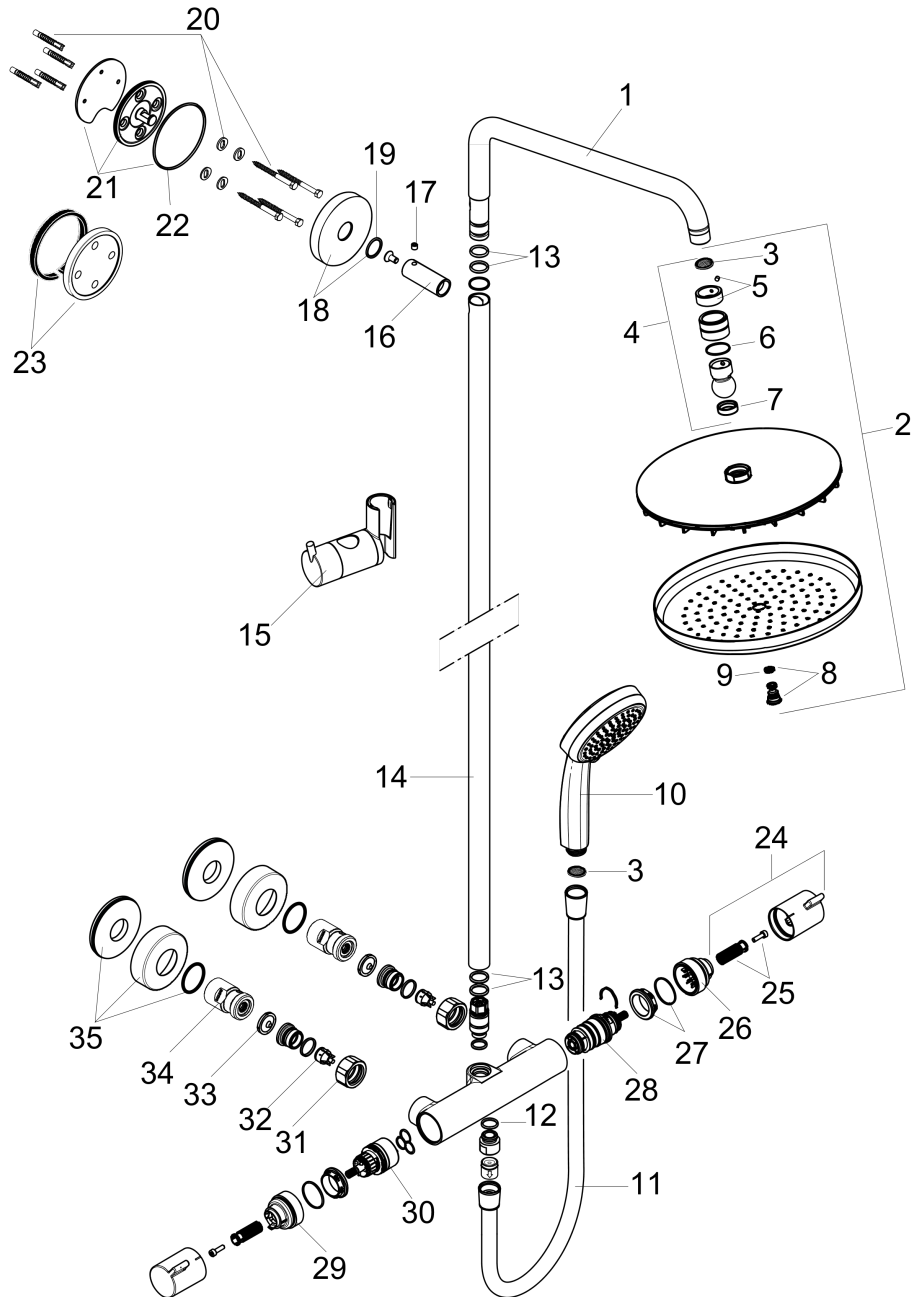
Showerpipe 220 1-Jet, 2.5 GPM

Finishes : brushed nickel Part no. : 27185821



Exploded drawing

Year of production: >04/15



## Croma

### Showerpipe 220 1-Jet, 2.5 GPM

Finishes : **brushed nickel** Part no. : **27185821**



#### Spare parts list

Year of production: >04/15

Pos.	Description	Part no.	Price	PU
1	shower arm	95985820	-	1
2	showerhead cpl.	26465821	-	1
3	filter packing	94246000	-	1
4	ball joint	98941000	-	1
5	lock washer	98942820	-	1
6	lever collar	97536000	-	1
7	seal	97606000	-	1
8	air jet	95794820	-	1
9	O-ring 7x2	98419000	-	1
10	handshower	04073820	-	1
11	shower hose 1,60 m	28276823	-	1
12	O-ring 14x2	98129000	-	1
13	O-ring 15x2,5	98131000	-	1
14	pipe 1030 mm	95915820	-	1
15	support, assy	97651820	-	1
16	sleeve	92166820	-	1
17	hollow set screw M6x5	98447000	-	1
18	escutcheon Ø 80 mm	95691820	-	1
19	O-ring 20x2	98165000	-	1
20	mounting set	98716000	-	1
21	wall flange	95687000	-	1
22	O-ring 72x2	98395000	-	1
23	tile-matching-disk	98681000	-	1
24	handle	95836820	-	1
25	handle fixing set	95843000	-	1
26	safety set	95839000	-	1
27	nut	98913000	-	1
28	thermostat cartridge	98282001	-	1
29	stop ring for flow control	95927000	-	1
30	shut off unit with selector	98283000	-	1
31	set of nuts	96157820	-	1
32	non return valve	96737000	-	1
33	filter packing	96922000	-	1
34	isolation valve	98341820	-	1
35	escutcheon	98340820	-	1
a	O-ring 26x1,5	98390000	-	1
b	O-ring 12x2,25	98382000	-	1
e	O-ring 17x1,5	98137000	-	1