

Croma Select S
Showerpipe 180 2-Jet, 2.0 GPM
 Finishes : **brushed nickel** Part no. : **27254821**



Description

Features

- Flow: 2.0 GPM (7.6 L/Min)
- Outlets may not be operated simultaneously
- Shower outlet flow: 2.0 GPM (7.6 L/min)
- Shower arm swivels left and right
- Anti-scald 100° safety stop
- Integrated volume control/diverter for 2 functions
- Exposed installation
- Thermostatic cartridge

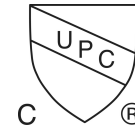
Item details

List Price \$ 1,316.00

Technology



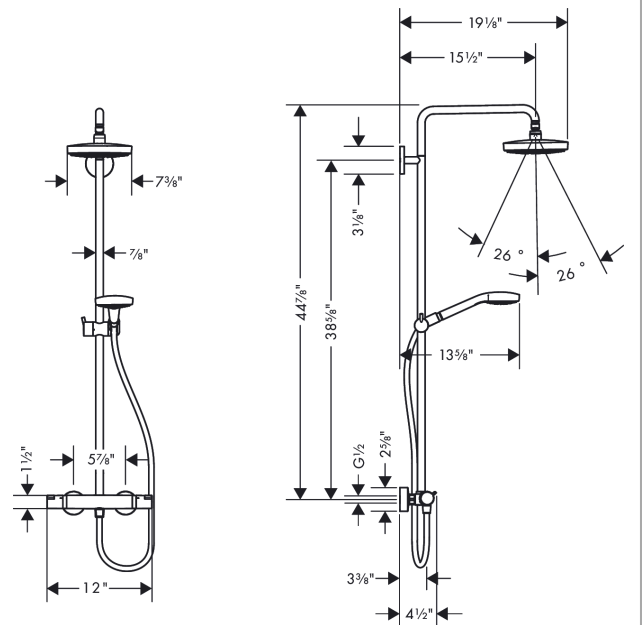
Compliance



Product image



Scale drawing

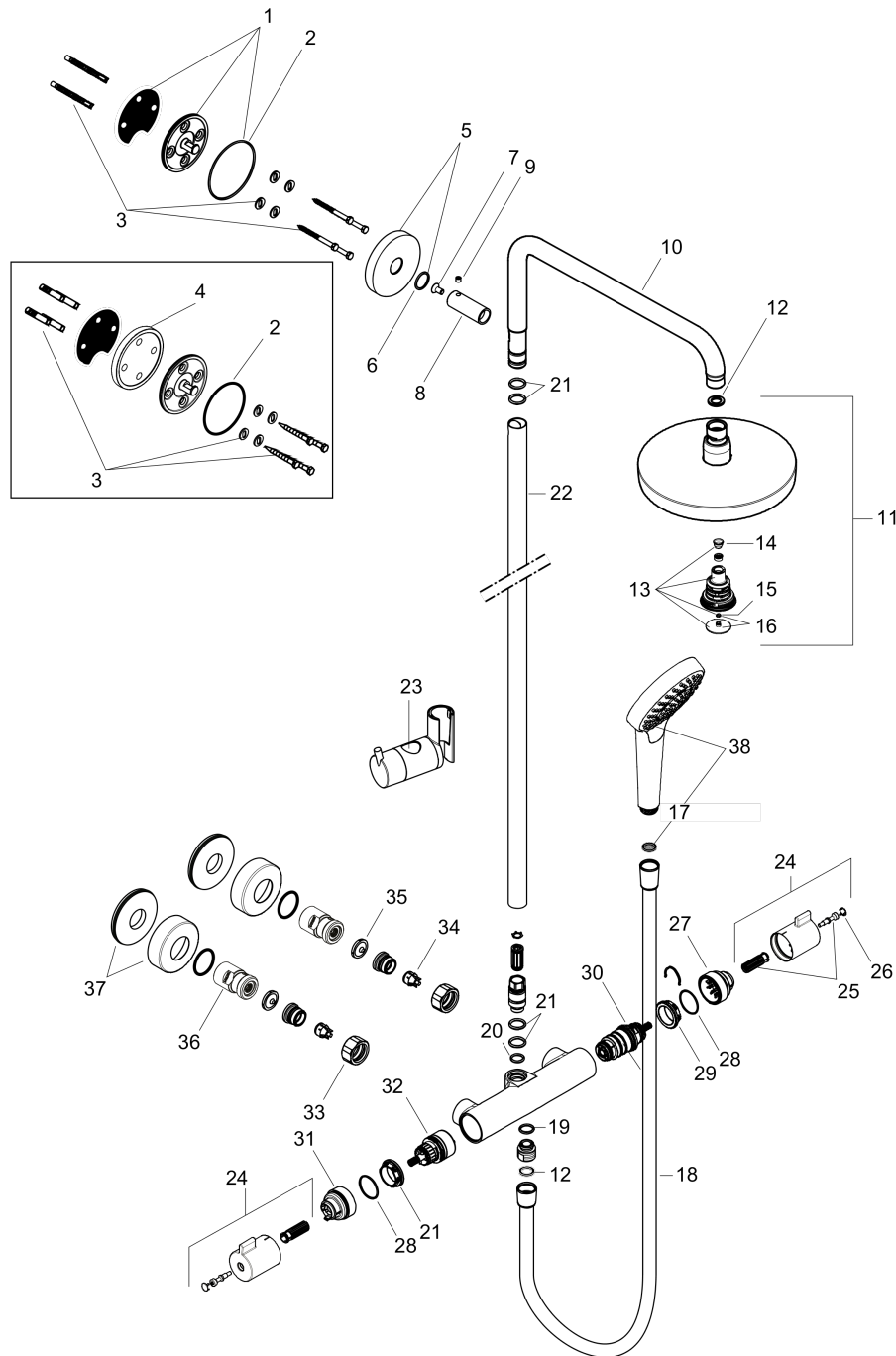


Croma Select S
Showerpipe 180 2-Jet, 2.0 GPM
 Finishes : **brushed nickel** Part no. : **27254821**



Exploded drawing

Year of production: >03/16



Croma Select S

Showerpipe 180 2-Jet, 2.0 GPM

Finishes : **brushed nickel** Part no. : **27254821**



Spare parts list

Year of production: >03/16

Pos.	Description	Part no.	Price	PU
1	wall flange	95687000	-	1
2	O-ring 72x2	98395000	-	1
3	mounting set	98716000	-	1
4	tile-matching-disk	98681000	-	1
5	escutcheon Ø 80 mm	95691820	-	1
6	O-ring 20x2	98165000	-	1
7	screw	92137000	-	1
8	sleeve	92166820	-	1
9	hollow set screw M6x5	98447000	-	1
10	showerhead cpl.	26523821	-	1
11	seal	98058000	-	1
12	filter	97735000	-	1
13	O-ring 3x1	98384000	-	1
14	handshower	26801821	-	1
15	filter packing	94246000	-	1
16	shower hose 1,60 m	28276823	-	1
17	O-ring 14x2	98129000	-	1
18	O-ring 12x2,25	98382000	-	1
19	O-ring 15x2,5	98131000	-	1
20	support, assy	97651820	-	1
21	handle	95836821	-	1
22	handle fixing set	95843001	-	1
23	cover cap	95433820	-	1
24	safety set for temperature control	95839001	-	1
25	O-ring 26x1,5	98390000	-	1
26	nut	98913000	-	1
27	thermostat cartridge	98282001	-	1
28	stop ring for flow control	95927000	-	1
29	shut off unit with selector	98283000	-	1
30	set of nuts	96157000	-	1
31	non return valve	96737000	-	1
32	filter packing	96922000	-	1
33	isolation valve	98341820	-	1
34	escutcheon	98340820	-	1
35	shower arm	92348820	-	1
36	selector assy	98343000	-	1
37	cover	98344000	-	1
38	pipe 973 mm	92468820	-	1