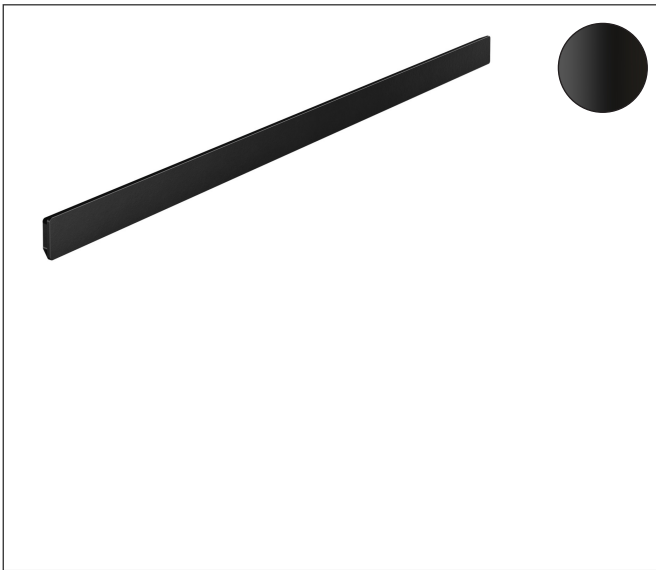


Brand hansgrohe
 Art. Name **WallStoris** Wall bar, 28"
 Art. Nr. 27904670
 Surface matte black
 Pos. 1



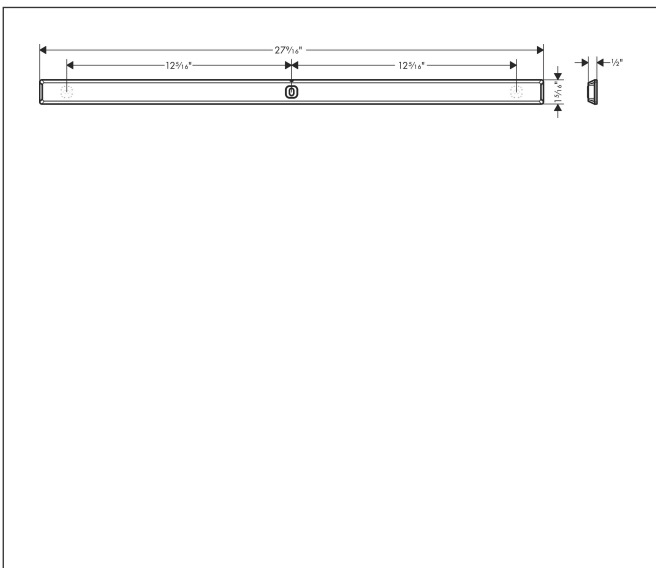
Product Picture



Features

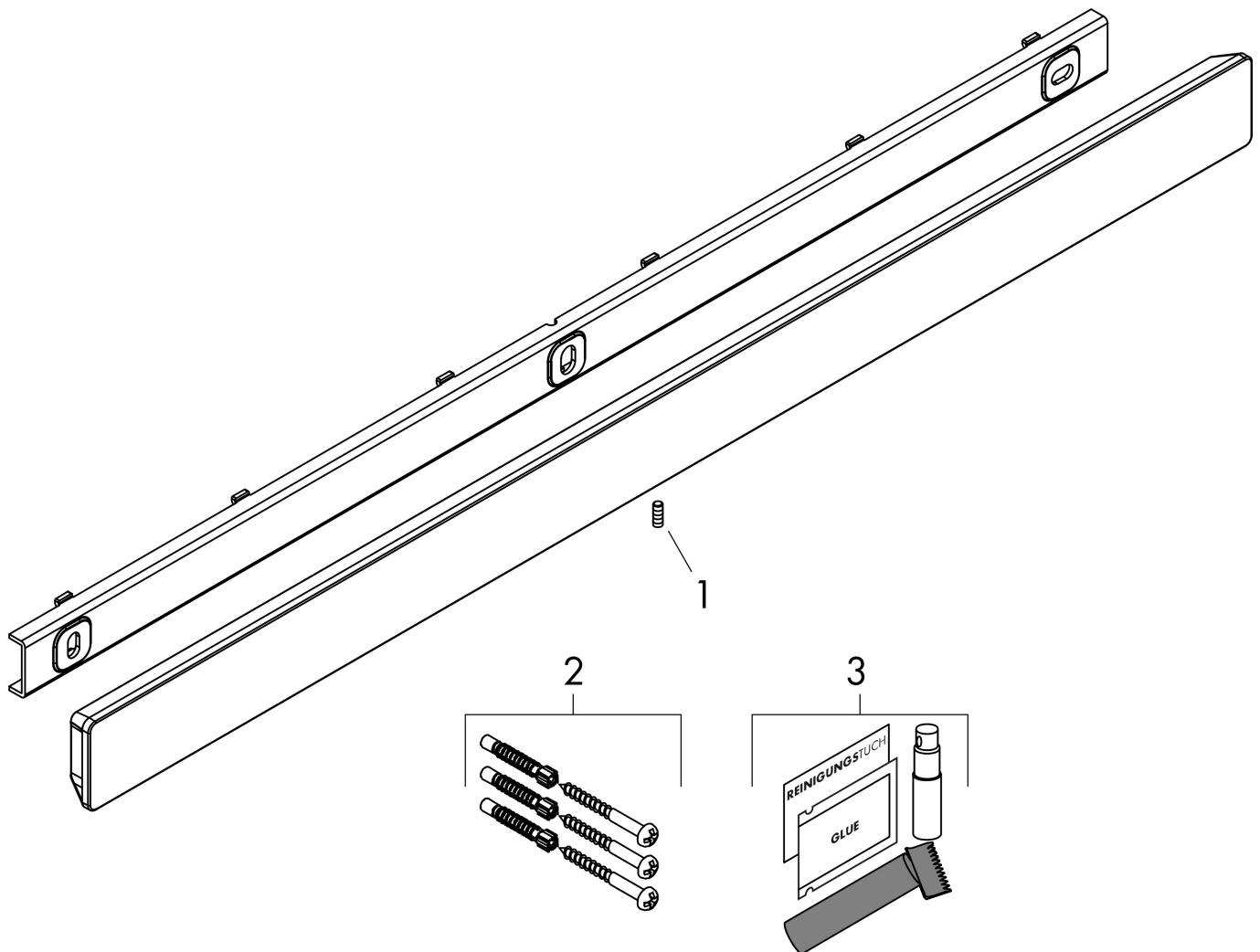
- Consists of: carrier bar, decorative bar
- Wall-mounted
- suitable for horizontal and vertical installation
- horizontal installation suitable for wallbar
- ideal for tiles, glass, metal
- application - glue or drill
- including gluing set
- holding force: 5 kg
- Carrier bar material: metal
- Material decorative bar: plastic
- Concealed fastening

Drawing



Brand hansgrohe
Art. Name **WallStoris** Wall bar, 28"
Art. Nr. 27904670
Surface matte black
Pos. 1

Spare Parts Drawings for build year: >10/21



Brand hansgrohe
 Art. Name **WallStoris** Wall bar, 28"
 Art. Nr. 27904670
 Surface matte black
 Pos. 1

Spare parts list for build year: >10/21

Pos.	Description	Article number
1	hollow set screw M3x8	94793000
2	mounting set	96179000
3	mounting set	94268000
4	mounting kit	94450000