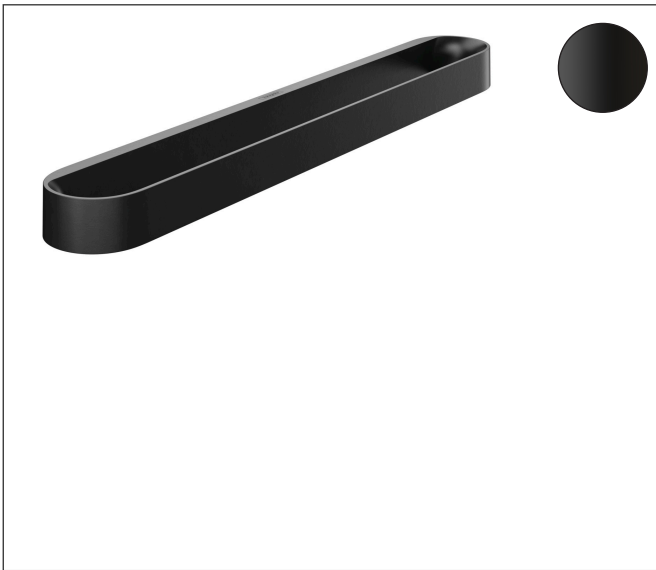


Brand hansgrohe
 Art. Name **WallStoris** Towel Bar
 Art. Nr. 27926670
 Surface matte black
 Pos. 1



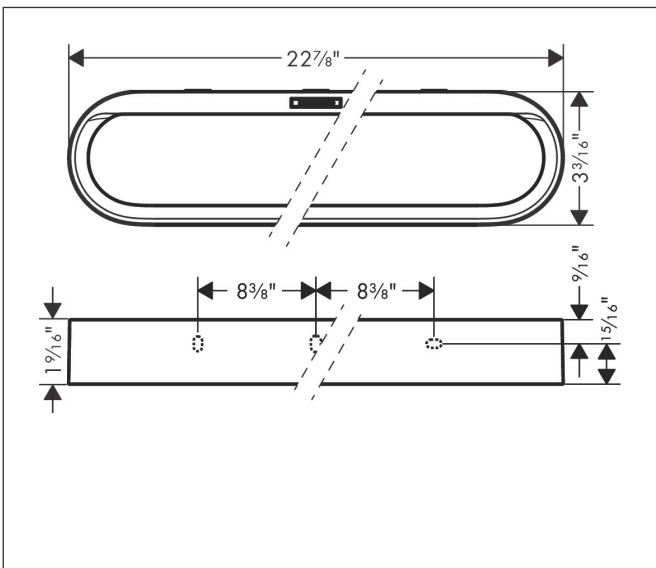
Product Picture



Features

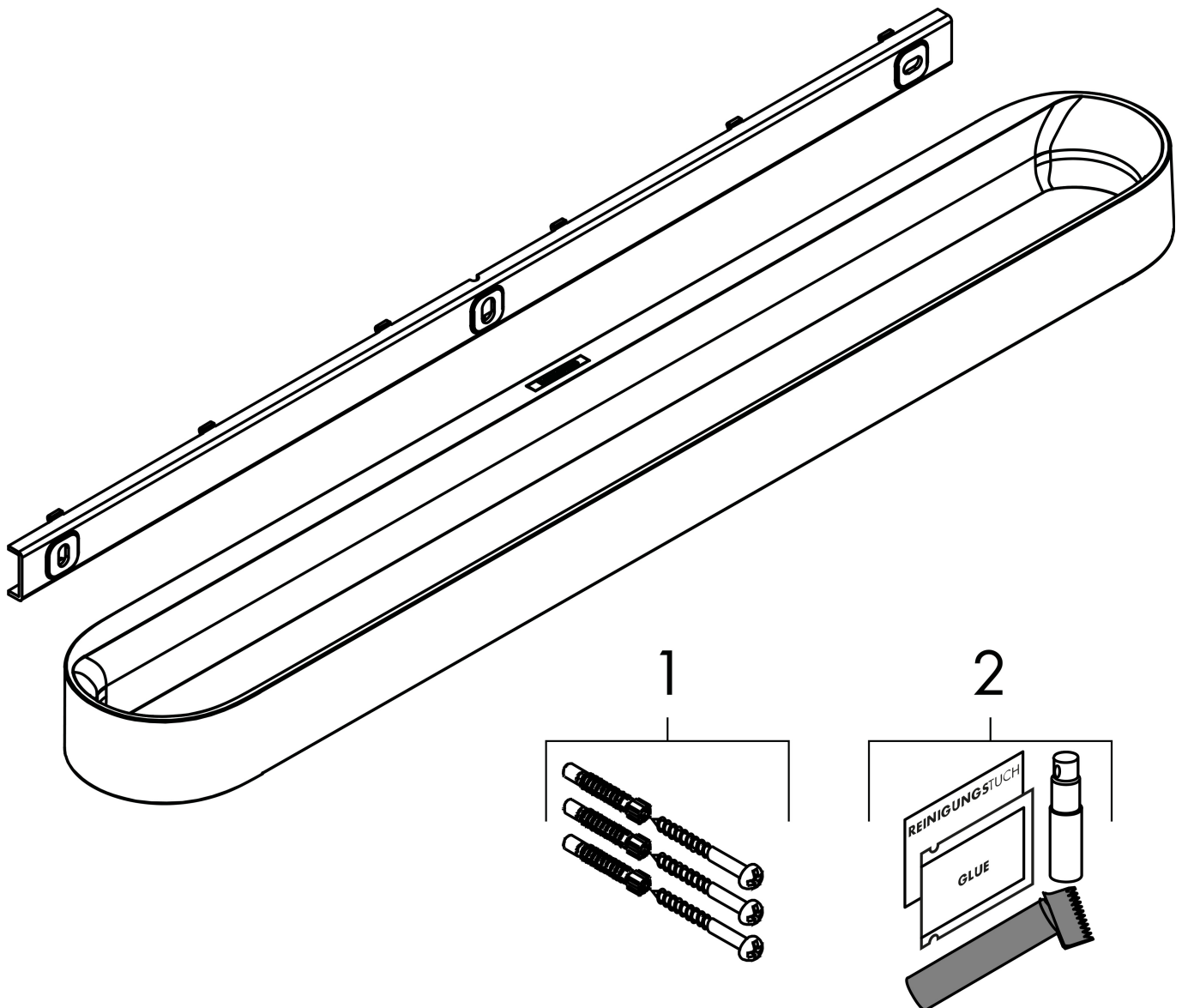
- Consists of: decorative bar, carrier bar
- Wall-mounted
- ideal for tiles, glass, metal
- application - glue or drill
- including gluing set
- holding force: 5 kg
- Carrier bar material: metal
- Material decorative bar: dyed plastic
- Fixed
- Concealed fastening

Drawing



Brand hansgrohe
Art. Name **WallStoris** Towel Bar
Art. Nr. 27926670
Surface matte black
Pos. 1

Spare Parts Drawings for build year: >10/21



Brand hansgrohe
Art. Name **WallStoris** Towel Bar
Art. Nr. 27926670
Surface matte black
Pos. 1

Spare parts list for build year: >10/21

Pos.	Description	Article number
1	mounting set	94268000
2	mounting kit	94450000