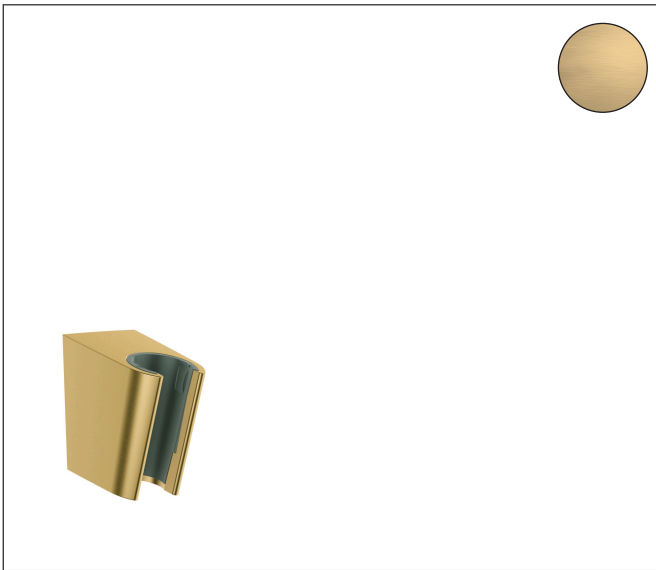


Brand hansgrohe
Art. Name Handshower Holder S
Art. Nr. 28331250
Surface Brushed Gold Optic
Pos. 1

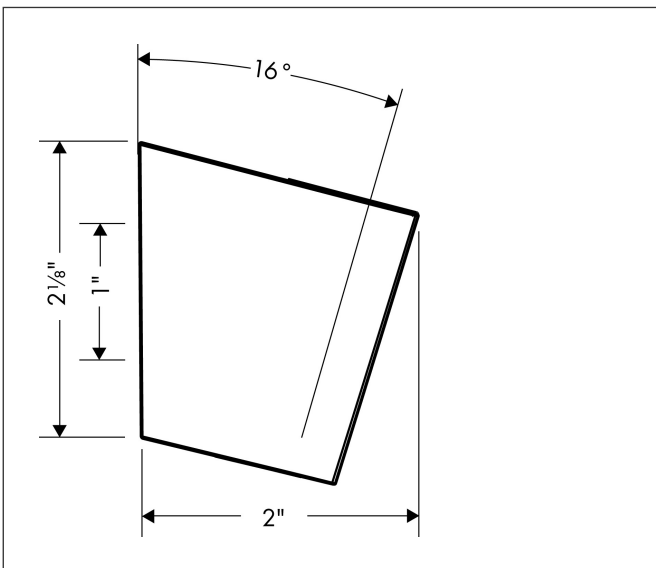
Product Picture



Features

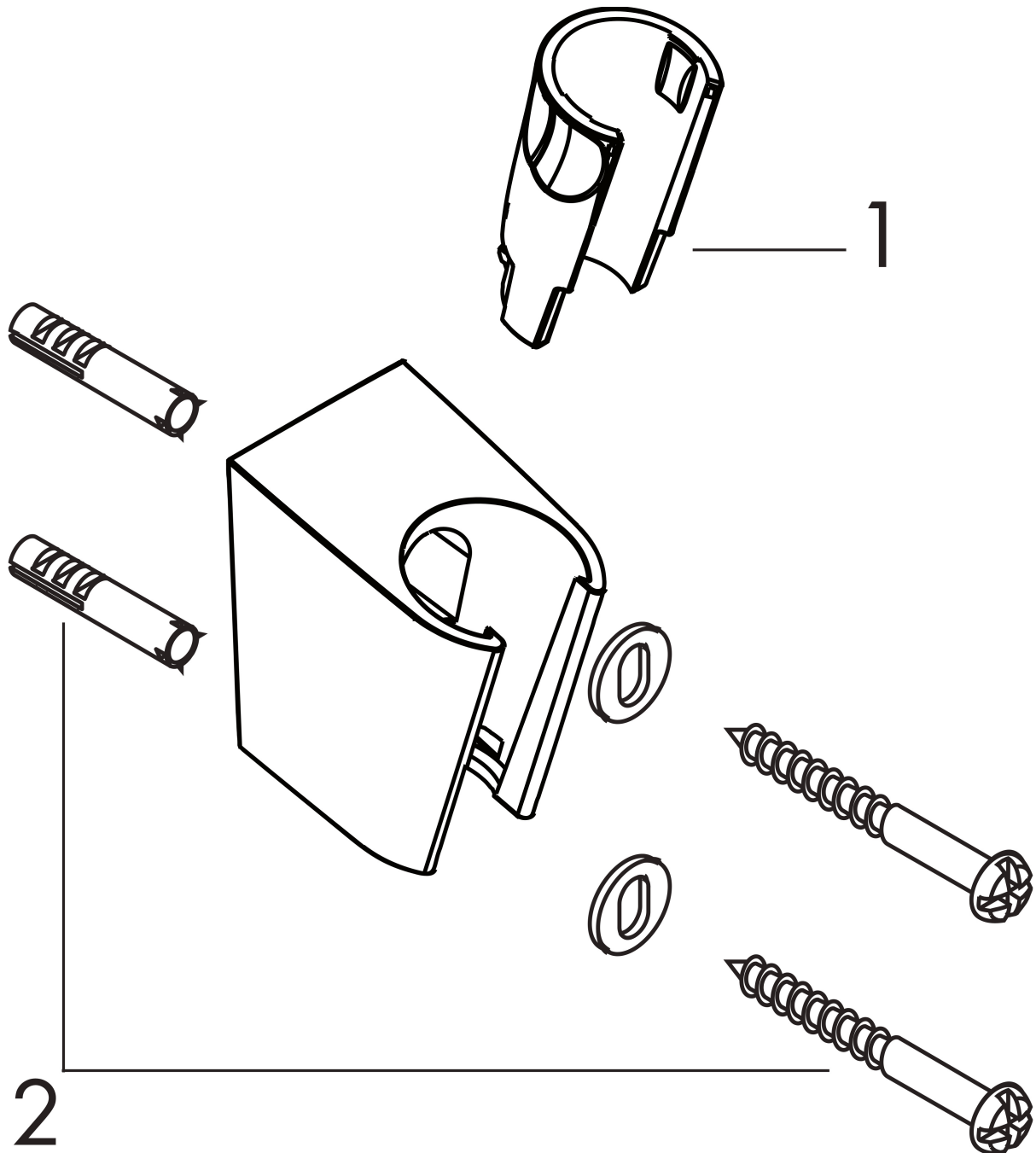
- for for shower hoses with conical nut
- Dimensions: 2" x 1 1/2" x 2" (HxWxD)
- Diameter drill hole: 1/4" in
- 2 drilled holes
- wall-mounted

Drawing



Brand hansgrohe
Art. Name Handshower Holder S
Art. Nr. 28331250
Surface Brushed Gold Optic
Pos. 1

Spare Parts Drawings for build year: 11/16 - 06/22



Brand hansgrohe
Art. Name Handshower Holder S
Art. Nr. 28331250
Surface Brushed Gold Optic
Pos. 1

Spare parts list for build year: 11/16 - 06/22

Pos.	Description	Article number
1	guide	98918000