

Brand hansgrohe
 Art. Name Handshower Holder S
 Art. Nr. 28331340
 Surface Brushed Black Chrome
 Pos. 1



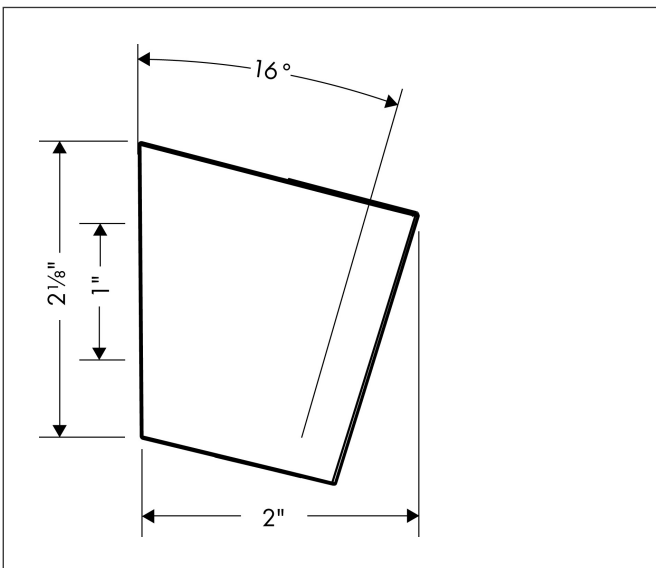
Product Picture



Features

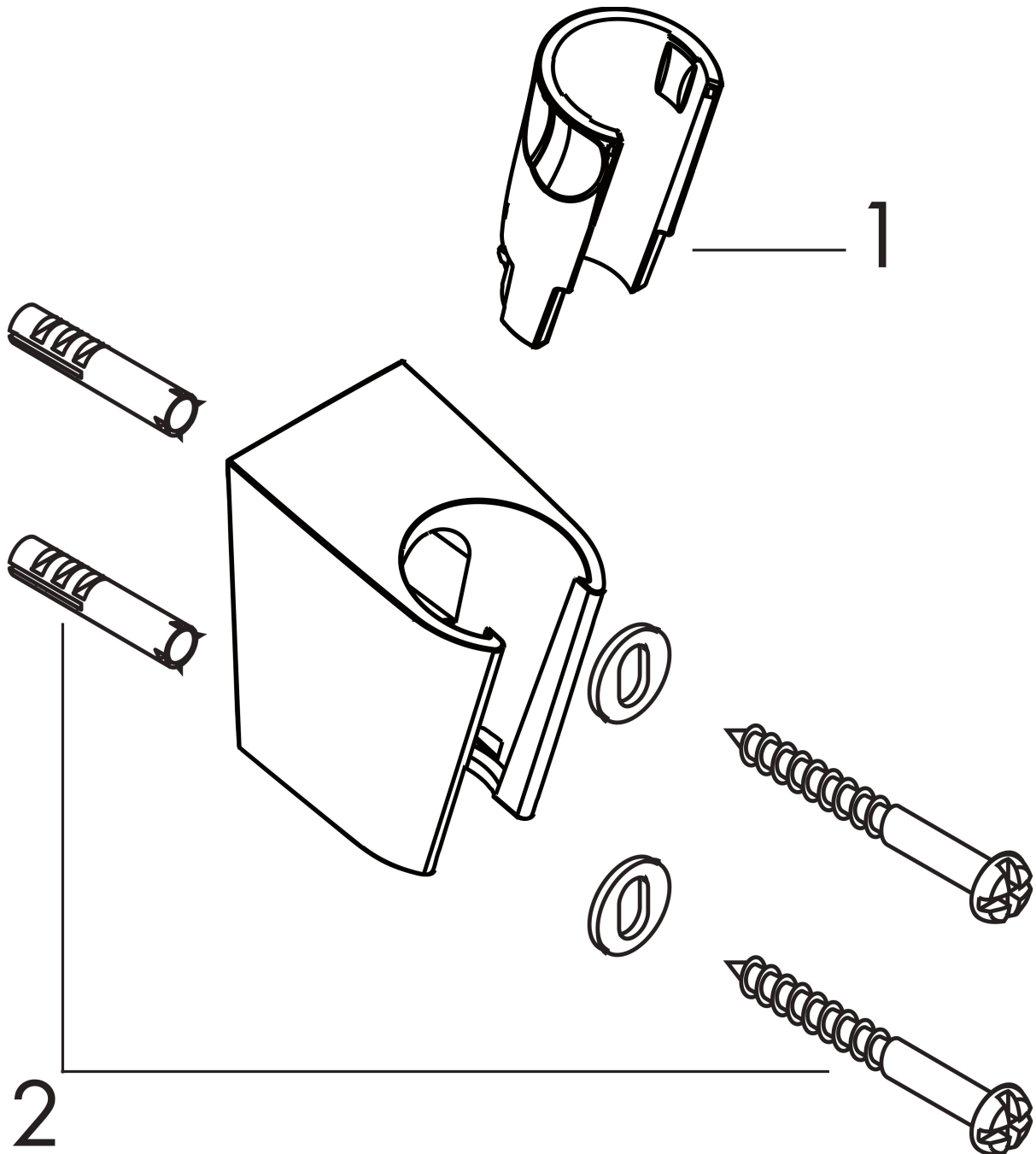
- for for shower hoses with conical nut
- wall-mounted
- Dimensions: 2" x 1 1/2" x 2" (HxWxD)
- Diameter drill hole: 1/4" in
- 2 drilled holes

Drawing



Brand hansgrohe
Art. Name Handshower Holder S
Art. Nr. 28331340
Surface Brushed Black Chrome
Pos. 1

Spare Parts Drawings for build year: >11/16



Brand hansgrohe
Art. Name Handshower Holder S
Art. Nr. 28331340
Surface Brushed Black Chrome
Pos. 1

Spare parts list for build year: >11/16

Pos.	Description	Article number
1	guide	98918000