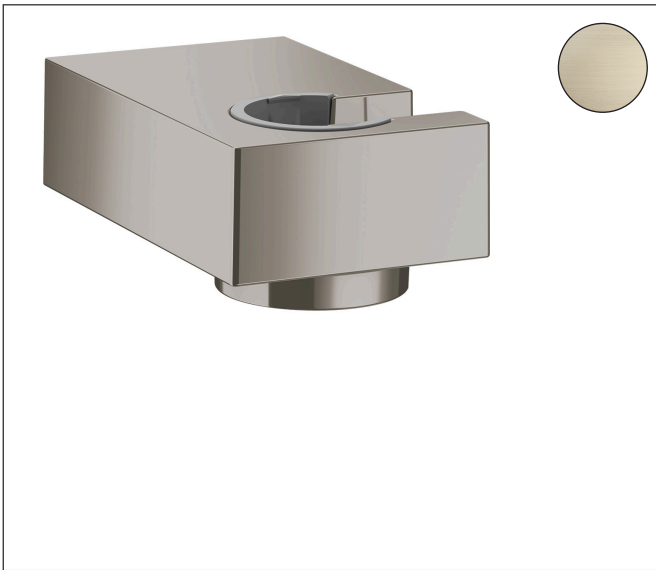


Brand hansgrohe
Art. Name Handshower Holder
Art. Nr. 28387821
Surface Brushed Nickel
Pos. 1

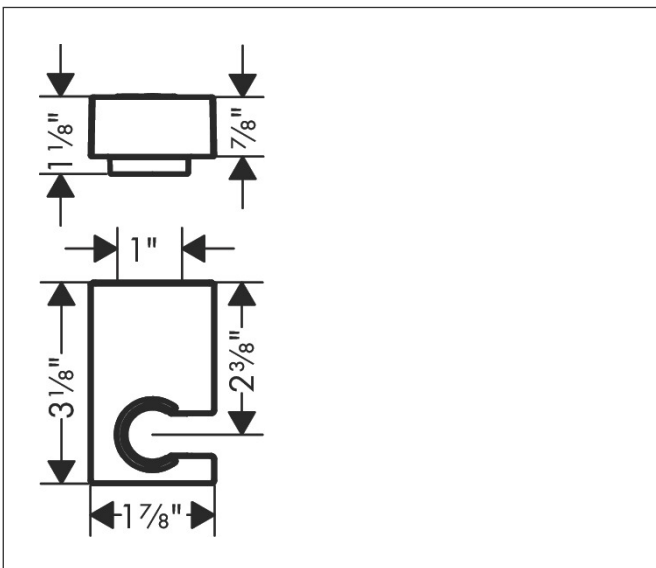
Product Picture



Features

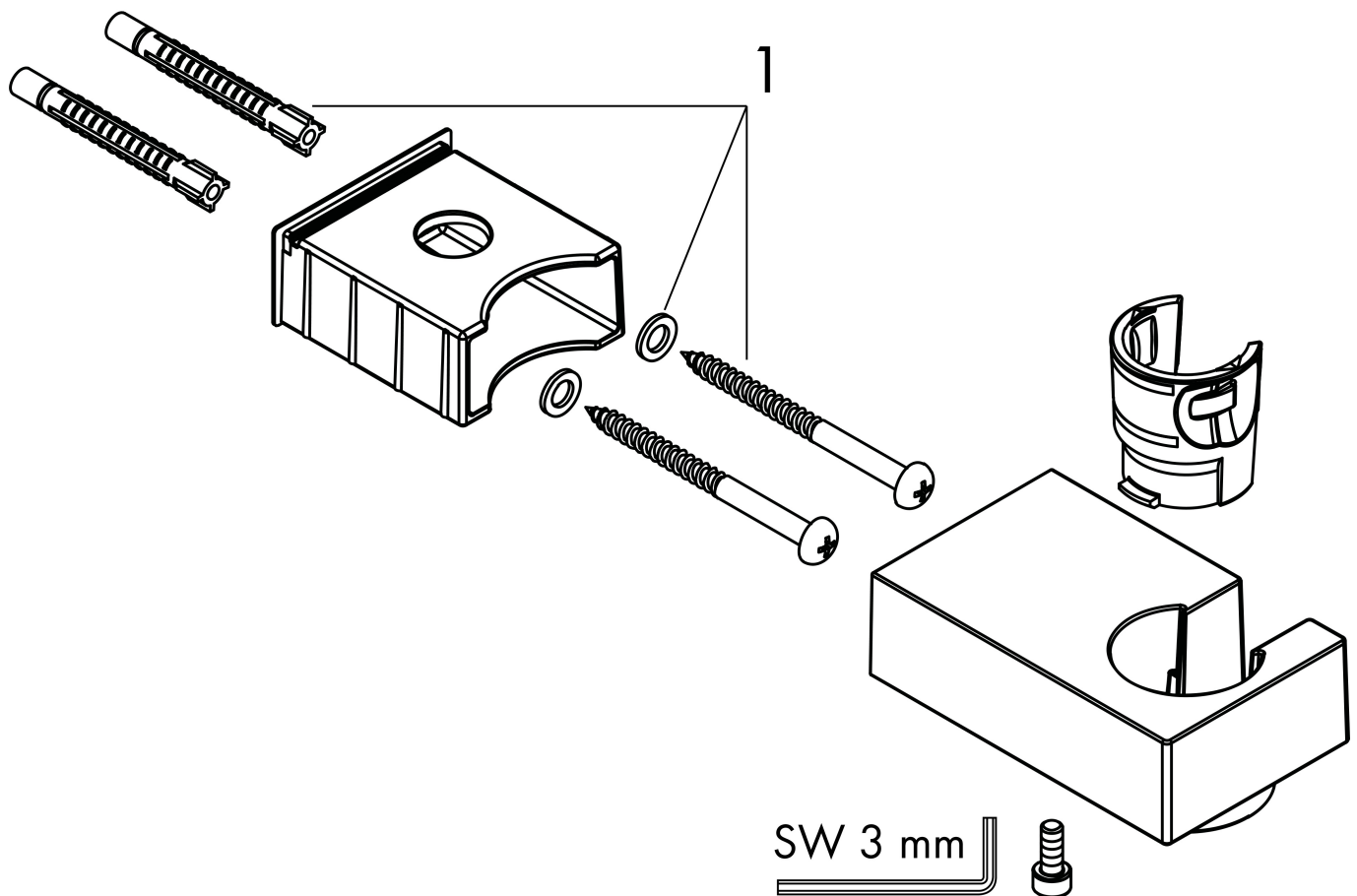
- For hose with conical nut
- Wall-mounted
- Dimensions: 30 x 48 x 78 mm (HxWxD)
- Diameter drill hole: 25 mm
- 1 drill hole

Drawing



Brand hansgrohe
Art. Name Handshower Holder
Art. Nr. 28387821
Surface Brushed Nickel
Pos. 1

Spare Parts Drawings for build year: >02/20



Brand hansgrohe
Art. Name Handshower Holder
Art. Nr. 28387821
Surface Brushed Nickel
Pos. 1

Spare parts list for build year: >02/20

Pos.	Description	Article number
1	mounting set	40915000