

Brand hansgrohe  
Art. Name **Ecostat** Pressure Balance Trim S  
Art. Nr. 04233820  
Surface Brushed Nickel  
Pos. 1

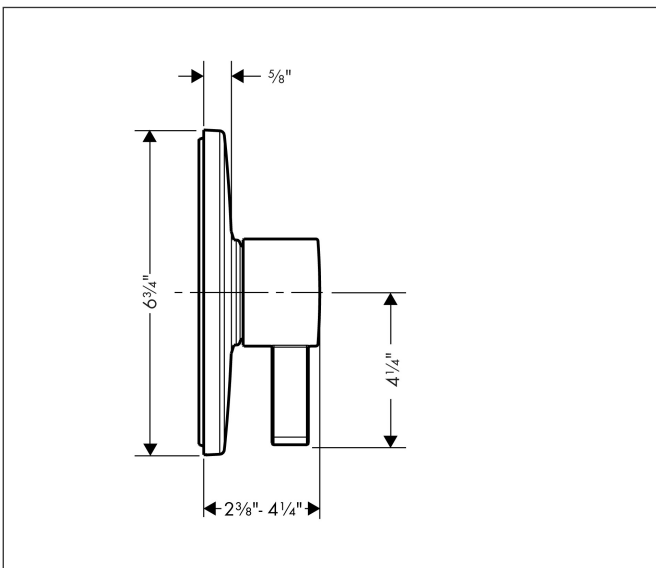
## Product Picture



## Features

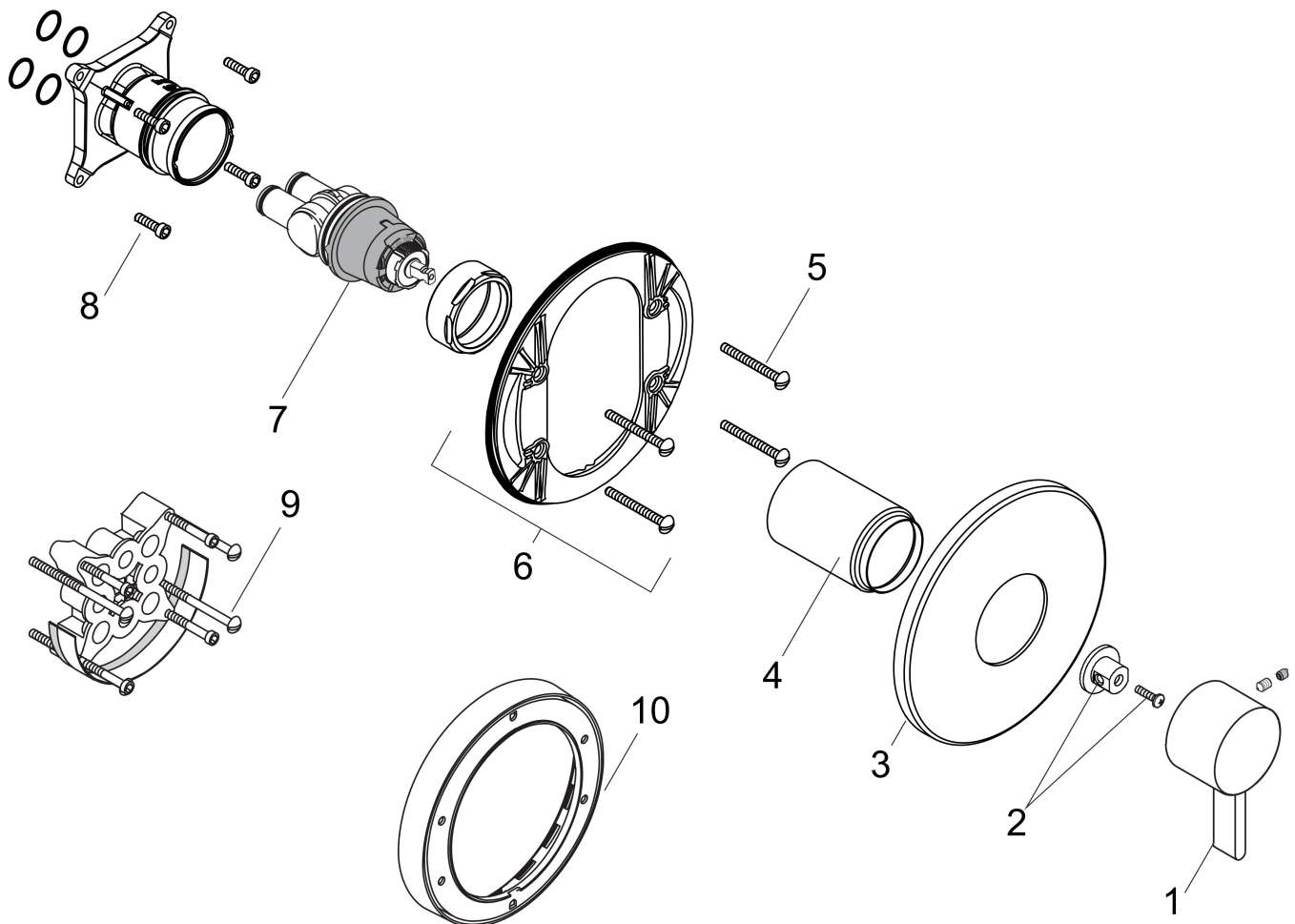
- Temperature and volume control for 1 outlet
- Maximum flow rate (at 3 bar): 20.6 l/min
- Bypass for use with diverter-type tub spouts
- Connection type: base set

## Drawing



Brand hansgrohe  
Art. Name **Ecostat** Pressure Balance Trim S  
Art. Nr. 04233820  
Surface Brushed Nickel  
Pos. 1

## Spare Parts Drawings for build year: >05/10



Brand hansgrohe  
 Art. Name **Ecostat** Pressure Balance Trim S  
 Art. Nr. 04233820  
 Surface Brushed Nickel  
 Pos. 1

## Spare parts list for build year: >05/10

Pos.	Description	Article number
1	handle	88763000
2	adapter for handle	92756000
3	escutcheon	88760820
4	sleeve	88765820
5	set of fixing screws	96454000
6	sub plate	96447000
7	cartridge, assy	88727000
8	set of screws	96525000
9	extension 25 mm	13595000
10	extension 22 mm (Ø 170 mm)	13596820