

Croma Select S
Handshower Set 3-Jet, 2.0 GPM
 Finishes : **chrome** Part no. : **04569000**



Description

Features

- Consists of: Handshower, Handshower holder, Handshower hose
- Spray modes: SoftRain, IntenseRain, Pulsating Massage
- Select button for comfortable alternation of spray modes
- Flow: 2.0 GPM (7.6 L/Min)
- 26° adjustment

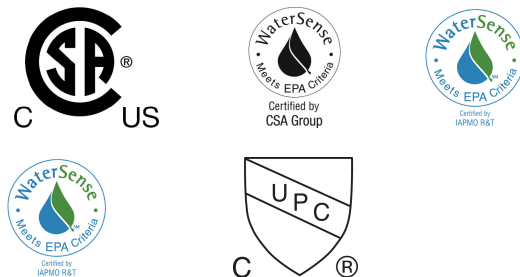
Item details

List Price \$ 170.00

Technology



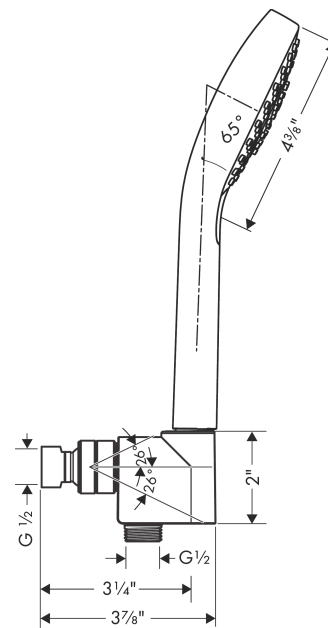
Compliance



Product image



Scale drawing

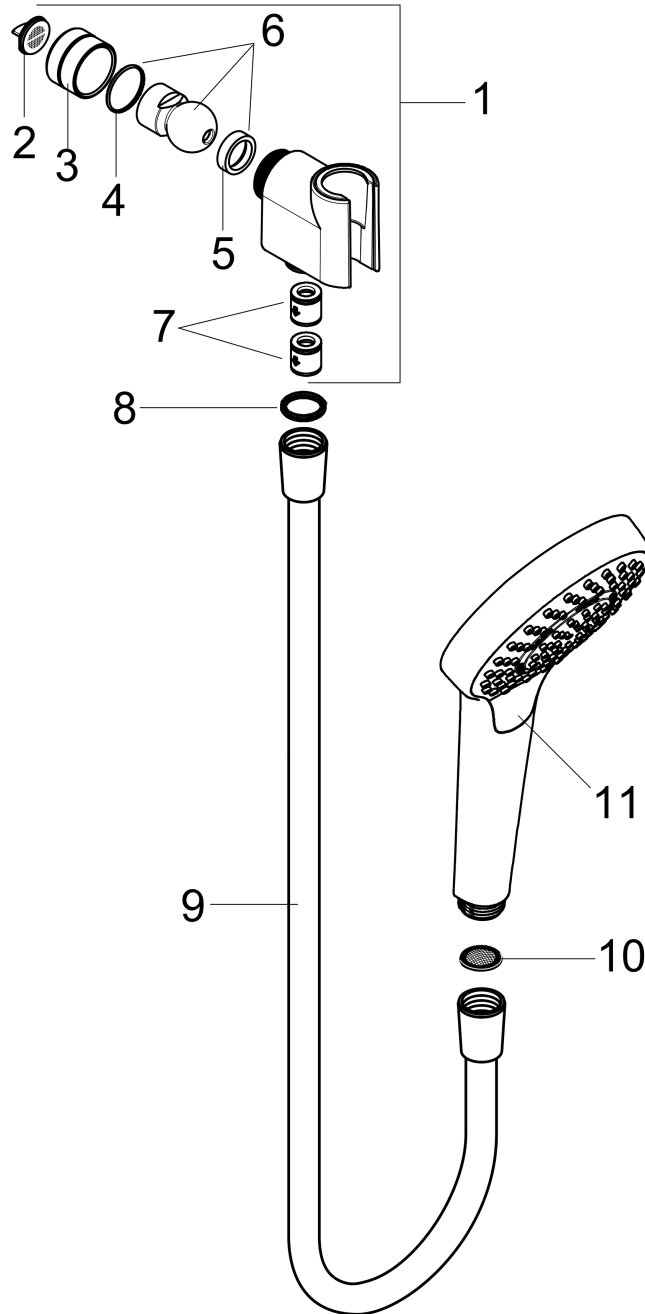


Croma Select S
Handshower Set 3-Jet, 2.0 GPM
Finishes : **chrome** Part no. : **04569000**



Exploded drawing

Year of production: >04/19



Croma Select S
Handshower Set 3-Jet, 2.0 GPM
 Finishes : **chrome** Part no. : **04569000**



Spare parts list

Year of production: >04/19

Pos.	Description	Part no.	Price	PU
1	support	04580000	-	1
2	filter packing	88649000	-	1
3	nut	97958000	-	1
4	lever collar	97536000	-	1
5	seal	97606000	-	1
6	ball joint	97331000	-	1
7	set of non return valves DW 15	94074000	-	1
8	seal	98058000	-	1
9	shower hose 1,60 m	28276003	-	1
10	filter packing	94246000	-	1
11	handshower	26801401	-	1