

Brand hansgrohe
 Art. Name **DogShower** 150, 3-Jet Select with Quick Connect
 Art. Nr. 04973670
 Surface matte black
 Pos. 1



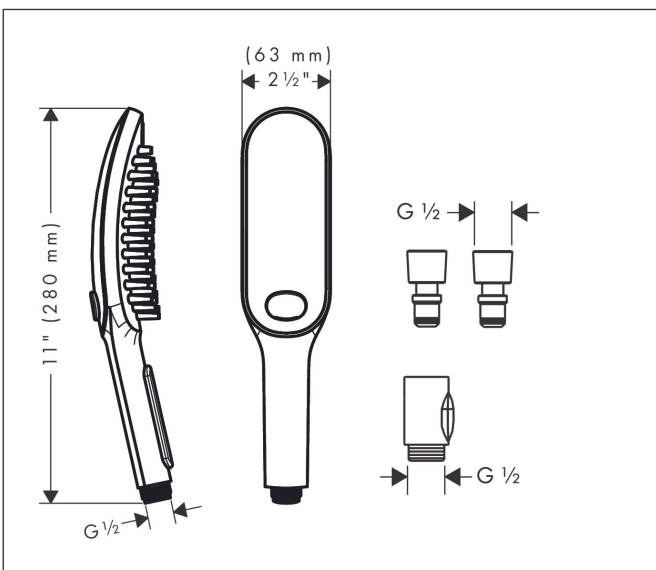
Product Picture



Features

- Consists of: Handshower, quick coupling
- Showerhead size: 150 x 63 mm
- Spray pattern: fur spray, leg spray, paw spray
- Convenient spray selection via Select button
- Maximum flow rate (at 3 bar): 6.6 l/min
- Elongated, brush-like nozzles (1.5 cm) for thorough cleaning with massage effect
- ergonomic design
- Water Boost: boost function to increase waterflow when needed
- Suitable for continuous flow water heaters
- Connection size: 1/2"
- Rinseable screen seal
- Non-return valve

Drawing



Technology



Spray Types

