

**Talis E**  
**Wall-Mounted Single-Handle Faucet Trim, 1.2 GPM**  
 Finishes : **brushed nickel** Part no. : **71734821**



**Description**

**Features**

- Aerated spray
- Flow: 1.2 GPM (4.5 L/Min)
- Ceramic cartridge

**Item details**

List Price \$ 354.00

**Technology**



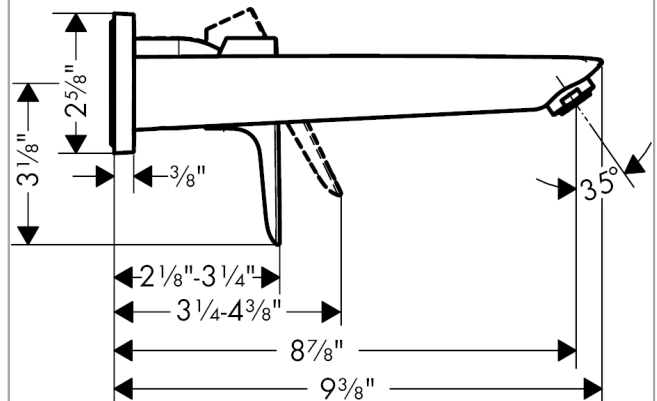
**Compliance**



**Product image**



**Scale drawing**

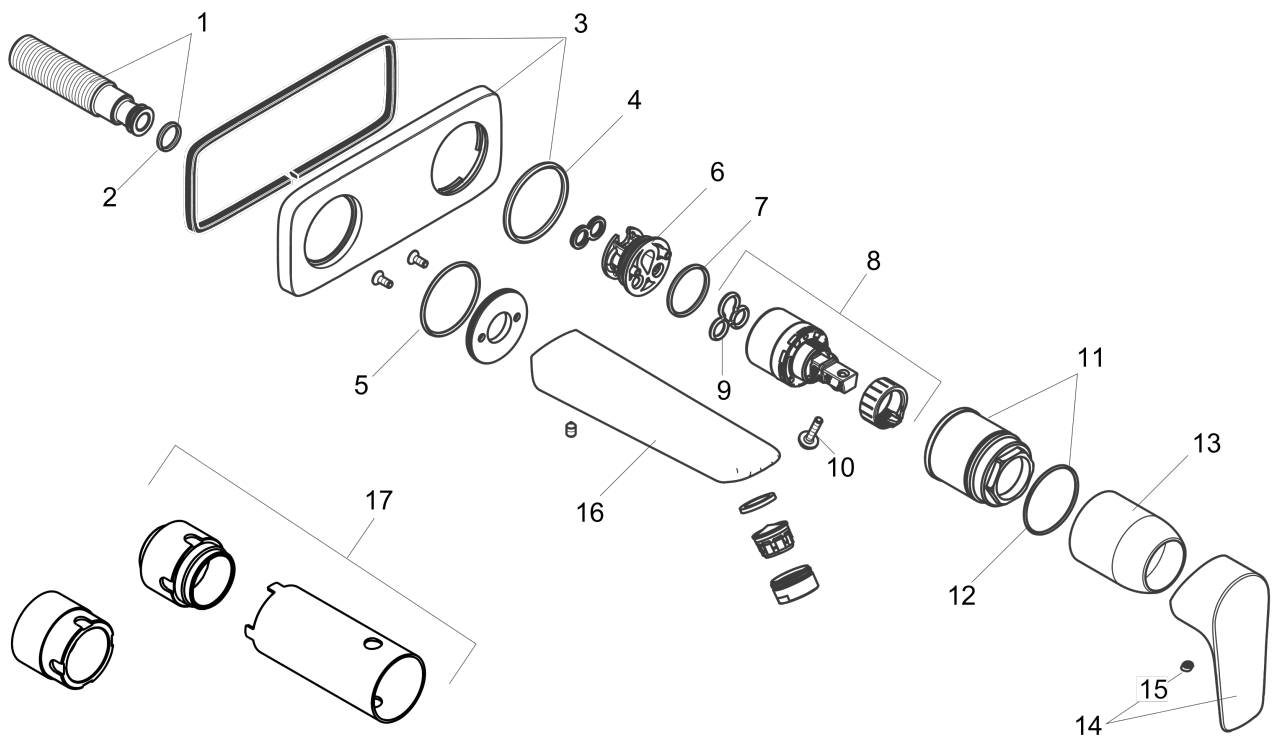


**Talis E**  
**Wall-Mounted Single-Handle Faucet Trim, 1.2 GPM**  
 Finishes : **brushed nickel** Part no. : **71734821**



Exploded drawing

Year of production: >10/16



**Talis E**  
**Wall-Mounted Single-Handle Faucet Trim, 1.2 GPM**  
 Finishes : **brushed nickel** Part no. : **71734821**



### Spare parts list

Year of production: >10/16

Pos.	Description	Part no.	Price	PU
1	connecting thread G½	95626000	-	1
2	O-ring 13x2	98128000	-	1
3	escutcheon	92239820	-	1
4	O-ring 43x3	98418000	-	1
5	O-ring 41x2	98212000	-	1
6	adapter for cartridge	95779000	-	1
7	O-ring 26x2	98147000	-	1
8	cartridge, assy	95646001	-	1
9	seal	95008000	-	1
10	locking screw for handle	95140000	-	1
11	nut	95622000	-	1
12	O-ring 39x1,5	98400000	-	1
13	sleeve	98790820	-	1
14	handle	92666820	-	1
15	screw cover	96338000	-	1
16	spout 225 mm	92714820	-	1
17	extension set 25 mm for 13622180	31971000	-	1
a	aerator M24x1 (4,5 l/min)	92812820	-	1