

Talis S
Single-Hole Faucet 250, 1.2 GPM
 Finishes : **brushed nickel** Part no. : **72116821**



Description

Features

- Aerated spray
- Flow: 1.2 GPM (4.5 L/Min)
- Ceramic cartridge

Item details

List Price \$ 640.00

Technology



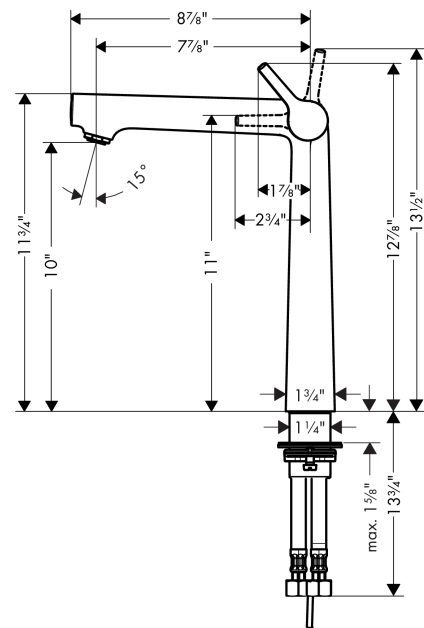
Compliance



Product image



Scale drawing

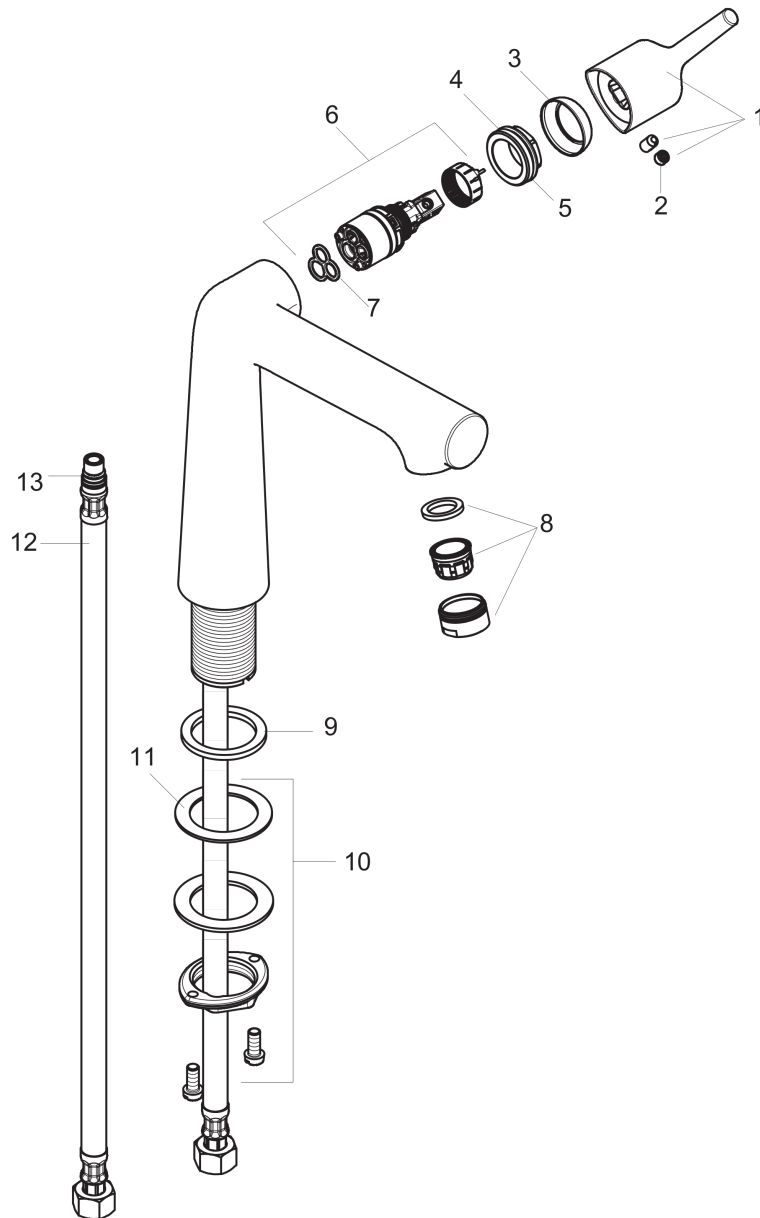


Talis S
Single-Hole Faucet 250, 1.2 GPM
 Finishes : **brushed nickel** Part no. : **72116821**



Exploded drawing

Year of production: >09/16



Talis S**Single-Hole Faucet 250, 1.2 GPM**Finishes : **brushed nickel** Part no. : **72116821****Spare parts list**

Year of production: >09/16

Pos.	Description	Part no.	Price	PU
1	handle	92771820	-	1
2	screw cover	95704000	-	1
3	flange	95493820	-	1
4	nut	95178000	-	1
5	O-ring 24x2	98388000	-	1
6	cartridge, assy	95973001	-	1
7	seal	98865000	-	1
8	aerator M24x1 (4,5 l/min)	92812820	-	1
9	flat seal	98749000	-	1
10	fixing set (Ø 32)	13961000	-	1
11	lever collar	97548000	-	1
12	connection hose 23½" M10x1 3/8"	14099001	-	1
13	O-ring 8x1,75	97827000	-	1
a	fixation extension 35 mm	13898000	-	1