

Talis S

Talis S Freestanding Tub Filler Trim

Finishes : **Chrome** Part no. : **72412001**



Description

Features

- Flow: 5.5 GPM
- Ceramic cartridge
- Solid brass
- Diverter for handshower

Comprised of

- Axor Starck 1-Jet Handshower (#10531USA)
- Techniflex Hose with Cylindrical Nut, 49" (#28282XXX)

Required accessories

- Rough, Axor Starck Freestanding Tub Filler (#10452USA)

Item details

List Price

\$ 720.00

Technology



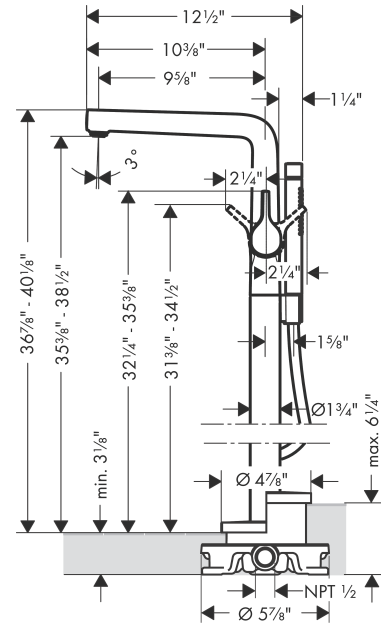
Compliance



Product image



Scale drawing

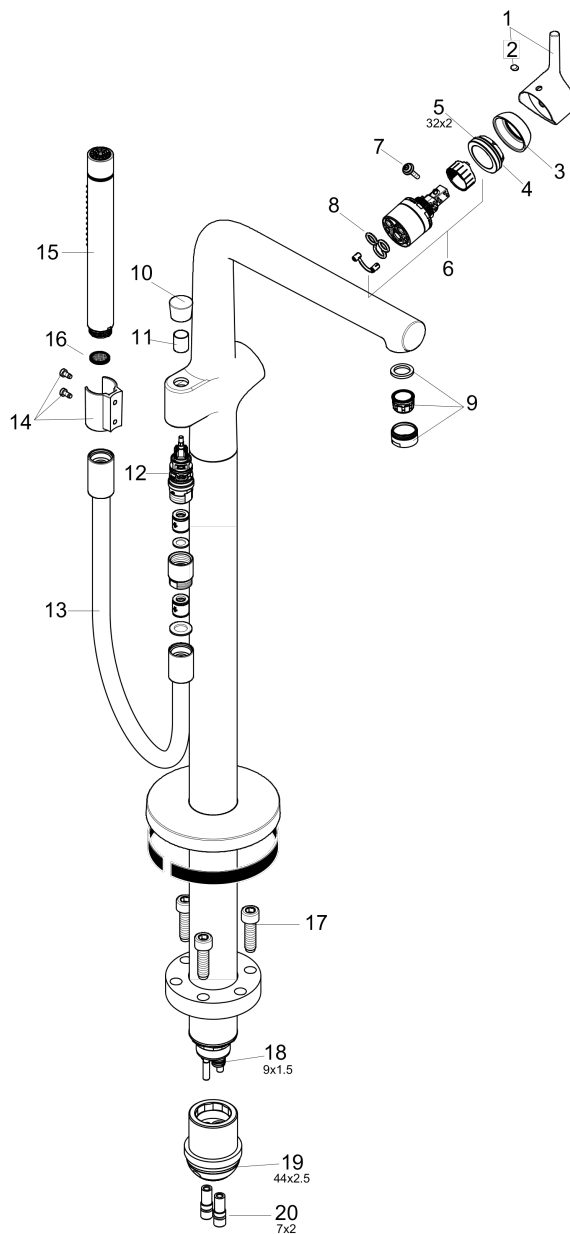


Talis S
Talis S Freestanding Tub Filler Trim
Finishes : **Chrome** Part no. : **72412001**



Exploded drawing

Year of production: >06/15



Talis S
Talis S Freestanding Tub Filler Trim

 Finishes : **Chrome** Part no. : **72412001**

Spare parts list

Year of production: >06/15

Pos.	Description	Part no.	Price	PU
1	handle	92644000	-	1
2	screw cover	96338000	-	1
3	flange	97406000	-	1
4	nut	97209000	-	1
5	O-Ring 32x2	98193000	-	1
6	cartridge, assy	92730000	-	1
7	locking screw for handle	95140000	-	1
8	seal	95008000	-	1
9	aerator M24x1 (30 l/min)	96512000	-	1
10	diverter knob	95284000	-	1
11	sleeve	97738000	-	1
12	selector assy	94077000	-	1
13	shower hose 1,25 m	28282000	-	1
14	shower holder, assy	96295000	-	1
15	handshower	28532001	-	1
16	filter packing	94246000	-	1
17	hexagon socket screw M10x35	97670000	-	1
18	O-ring 9x1,5	98117000	-	1
19	O-ring 44x2,5	98162000	-	1
20	O-ring 7x2	98419000	-	1
a	extension set 60 mm	97686000	-	1