

Talis Select S
HighArc Kitchen Faucet, 1-Spray Pull-Out, 1.75 GPM
 Finishes : **steel optic** Part no. : **72821801**



Description

Features

- Swivel range 110° / 150°
- Aerated spray
- Select button provides convenient start/stop of the water flow at the sprayhead
- Single-hole installation
- Flow: 1.75 GPM (6.6 L/Min)
- Ceramic cartridge
- 3/8" hoses
- Integrated double backflow prevention

Item details

List Price \$ 829.00

Technology



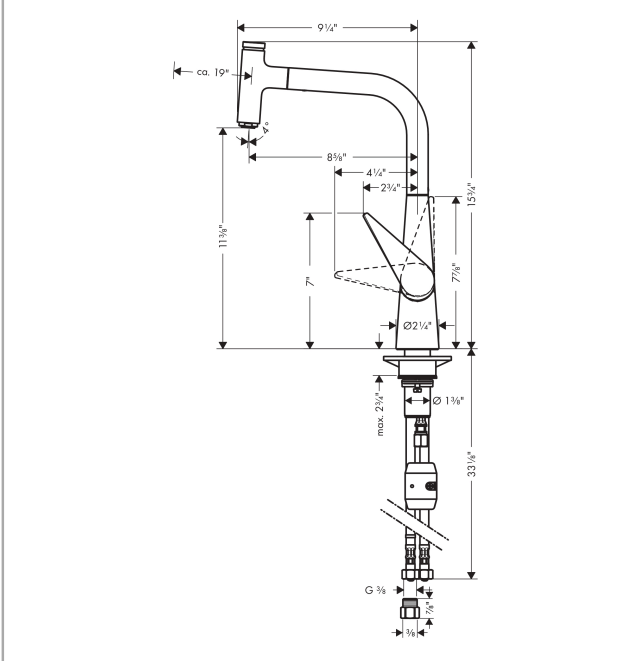
Compliance



Product image



Scale drawing

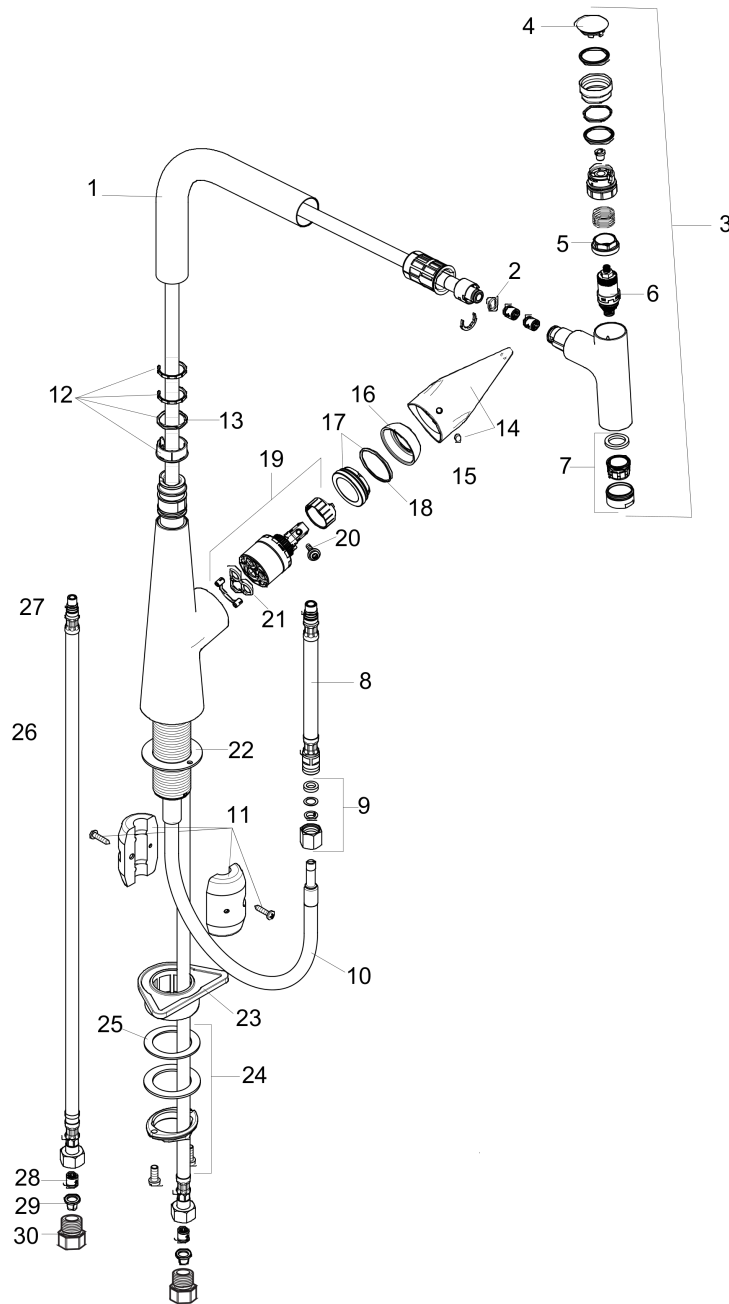


Talis Select S
HighArc Kitchen Faucet, 1-Spray Pull-Out, 1.75 GPM
 Finishes : **steel optic** Part no. : **72821801**



Exploded drawing

Year of production: >07/16



Talis Select S

HighArc Kitchen Faucet, 1-Spray Pull-Out, 1.75 GPM

Finishes : **steel optic** Part no. : **72821801**



Spare parts list

Year of production: >07/16

Pos.	Description	Part no.	Price	PU
1	spout cpl.	92583800	-	1
2	O-ring 8x2	98112000	-	1
3	handspray	92570801	-	1
4	cover	92566000	-	1
5	nut	92567000	-	1
6	shut off unit	98463000	-	1
7	aerator M24x1	92961800	-	1
8	connection hose 600 mm M10x1	92568000	-	1
9	squeezing connection	96099000	-	1
10	hose 1,50 m	92569000	-	1
11	weight	92500000	-	1
12	set of lever collars	98365000	-	1
13	O-ring 21x2,5	98211000	-	1
14	handle	92581800	-	1
15	screw cover	96338000	-	1
16	flange	95498800	-	1
17	nut	97209000	-	1
18	O-Ring 32x2	98193000	-	1
19	cartridge, assy	92730000	-	1
20	locking screw for handle	95140000	-	1
21	seal	95008000	-	1
22	seal	92582000	-	1
23	support	97523000	-	1
24	fixing set (Ø 34)	95049000	-	1
25	lever collar	97548000	-	1
26	connection hose 900 mm M8x0,75 G3/8	95372000	-	1
27	O-ring 7x1,5	98422000	-	1
28	non return valve DW 10	96456000	-	1
29	filter packing	95291000	-	1
30	adapter for connection hose	88802000	-	1