

**Talis Select S**  
**Prep Kitchen Faucet, 1-Spray Pull-Out, 1.75 GPM**  
 Finishes : **steel optic** Part no. : **72822801**



**Description**

**Features**

- Swivel range 110° / 150°
- Aerated spray
- Select button provides convenient start/stop of the water flow at the sprayhead
- Single-hole installation
- Flow: 1.75 GPM (6.6 L/Min)
- Ceramic cartridge
- 3/8" hoses
- Integrated double backflow prevention

**Item details**

List Price \$ 712.00

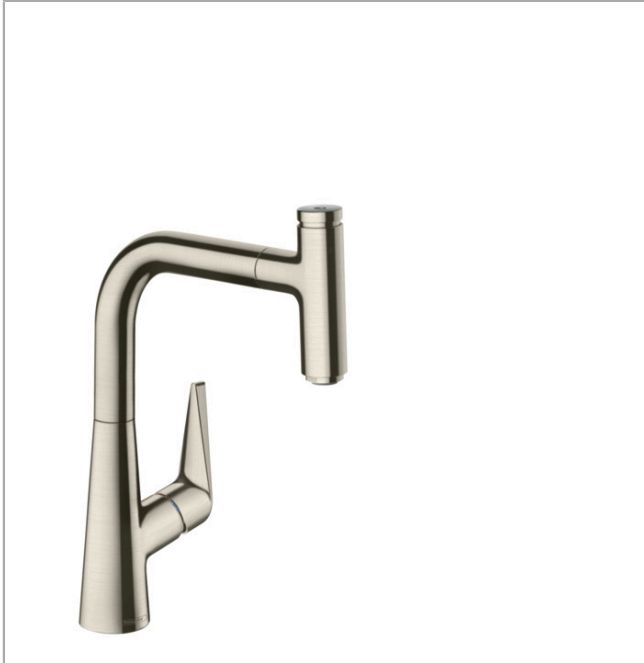
**Technology**



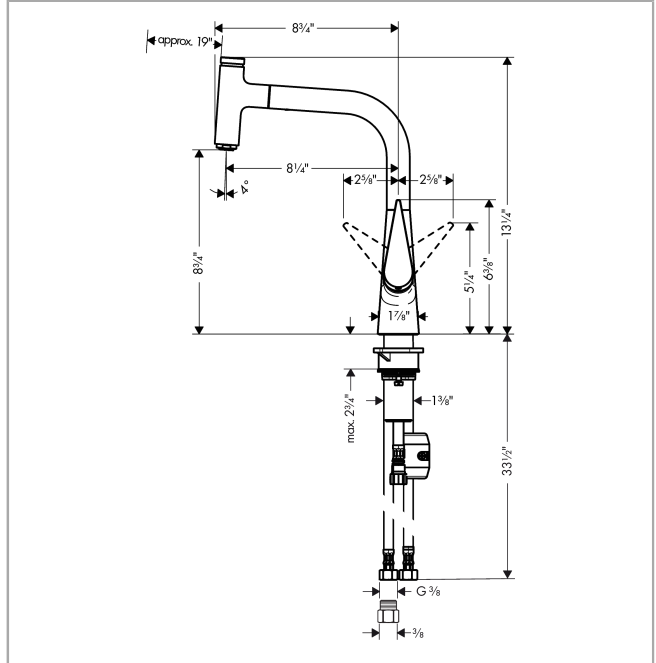
**Compliance**



**Product image**



**Scale drawing**

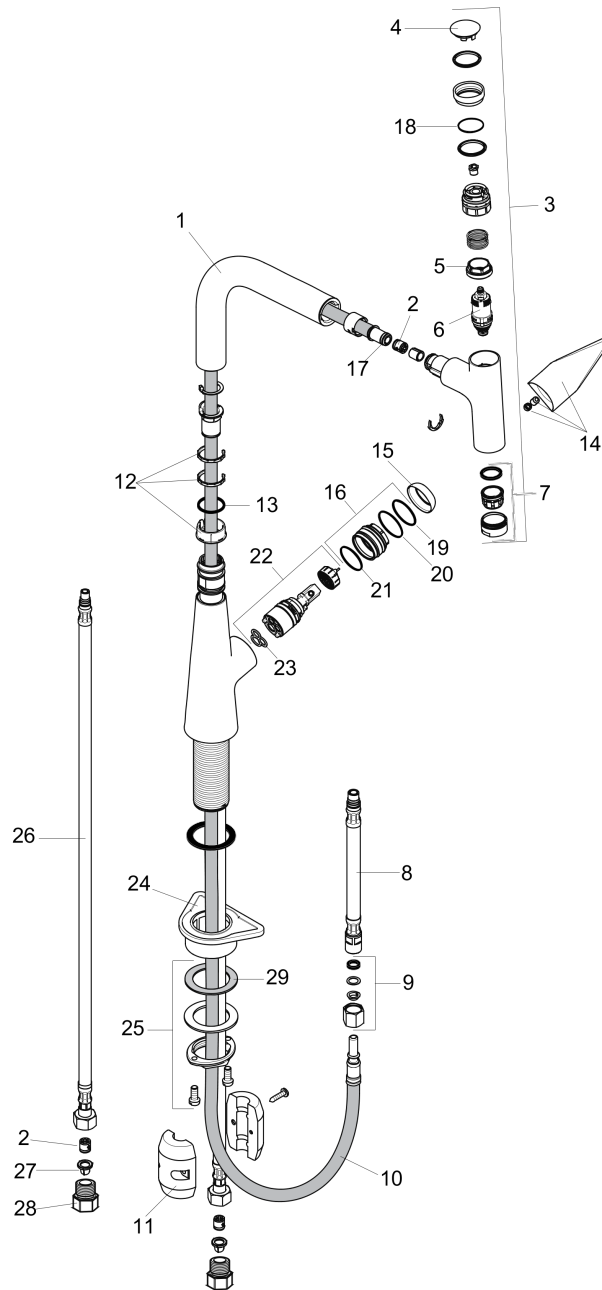


**Talis Select S**  
**Prep Kitchen Faucet, 1-Spray Pull-Out, 1.75 GPM**  
 Finishes : **steel optic**    Part no. : **72822801**



Exploded drawing

Year of production: >08/18



**Talis Select S**  
**Prep Kitchen Faucet, 1-Spray Pull-Out, 1.75 GPM**  
 Finishes : **steel optic** Part no. : **72822801**



## Spare parts list

Year of production: >08/18

Pos.	Description	Part no.	Price	PU
1	spout cpl.	93175800	-	1
2	non return valve DW 10	96456000	-	1
3	handspray	93174800	-	1
4	cover	92566000	-	1
5	nut	92567000	-	1
6	shut off unit	98463000	-	1
7	aerator M24x1 (15 l/min)	13913000	-	1
8	connection hose 600 mm M10x1	92568000	-	1
9	squeezing connection	96099000	-	1
10	hose 1,50 m	92569000	-	1
11	weight	92500000	-	1
12	set of lever collars	98365000	-	1
13	O-ring 21x2,5	98211000	-	1
14	handle	93148800	-	1
15	flange	98863800	-	1
16	nut	98864000	-	1
17	O-ring 8x2	98112000	-	1
18	O-Ring 14x1,5	98201000	-	1
19	O-ring 23x2	98398000	-	1
20	O-ring 27x1,5	92527000	-	1
21	O-ring 25x1,5	98146000	-	1
22	cartridge, assy	97685000	-	1
23	seal	98865000	-	1
24	support	97523000	-	1
25	fixing set (Ø 34)	95049000	-	1
26	connection hose 900 mm M8x0,75 G3/8	95372000	-	1
27	filter packing	95291000	-	1
28	adapter for connection hose	88802000	-	1
29	lever collar	97548000	-	1