

Brand hansgrohe
 Art. Name **Tecturis E** Single-Hole Fine 240, 1.2 GPM, without Pop-up Drain
 Art. Nr. 73072341
 Surface Brushed Black Chrome
 Pos. 1

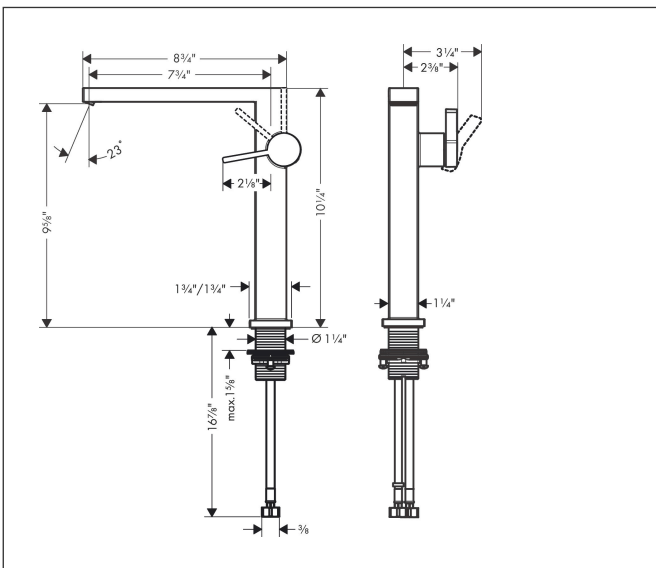
Product Picture



Features

- handle design: lever handle
- Spray pattern: Waterfall Stream
- Maximum flow rate: 1.2 GPM
- ceramic cartridge

Drawing



Technology



Certificates/approvals

