

Brand hansgrohe  
 Art. Name **Tecturis S** Single-Hole Fine 110, 1.2 GPM  
 Art. Nr. 73321341  
 Surface Brushed Black Chrome  
 Pos. 1

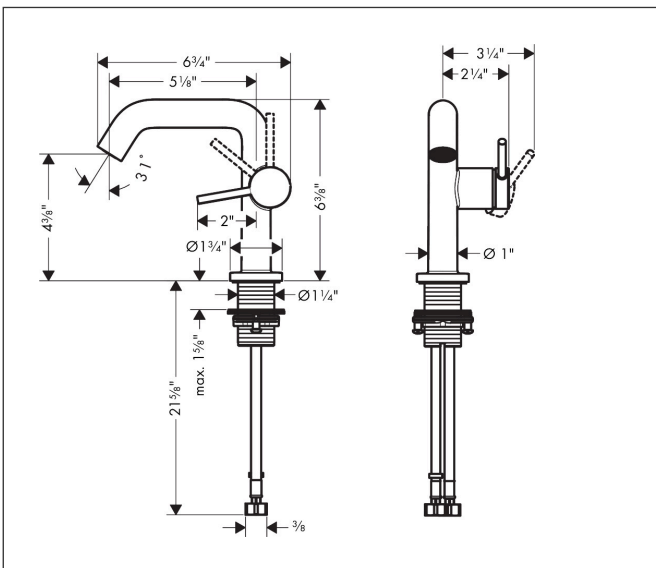
## Product Picture



## Features

- handle design: lever handle
- Spray pattern: Aerated spray
- Maximum flow rate: 1.2 GPM
- ceramic cartridge

## Drawing



## Technology



## Certificates/approvals



C

®