

Metropol
Single-Hole Faucet 230 with Loop Handle and Swivel Spout, 1.2 GPM
 Finishes : **chrome** Part no. : **74511001**



Description

Features

- consists of: Single-Handle Faucet
- Swivel range 120°
- Aerated spray
- Flow: 1.2 GPM (4.5 L/Min)
- Ceramic cartridge

Item details

List Price \$ 500.00

Technology



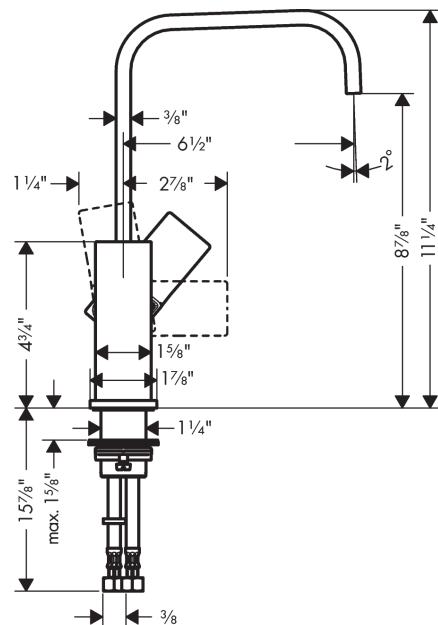
Compliance



Product image



Scale drawing

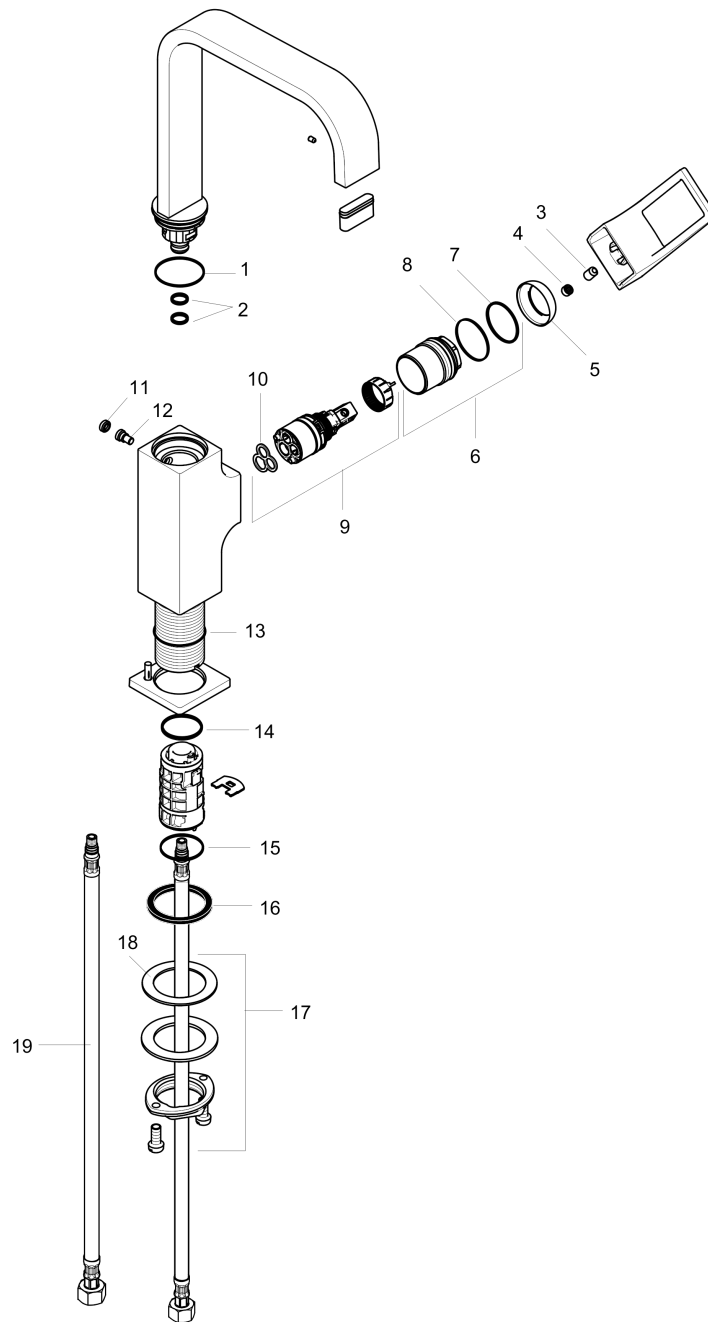


Metropol
Single-Hole Faucet 230 with Loop Handle and Swivel Spout, 1.2 GPM
 Finishes : **chrome** Part no. : **74511001**



Exploded drawing

Year of production: >03/18



Metropol

Single-Hole Faucet 230 with Loop Handle and Swivel Spout, 1.2 GPM

Finishes : **chrome** Part no. : **74511001**



Spare parts list

Year of production: >03/18

| Pos. | Description | Part no. | Price | PU |
|------|-----------------------------------|----------|-------|----|
| 1 | O-ring 30x1,5 | 98433000 | - | 1 |
| 2 | O-ring 8x2 | 98112000 | - | 1 |
| 3 | hollow set screw M6x10 DIN 916 | 96029000 | - | 1 |
| 4 | screw cover | 95704000 | - | 1 |
| 5 | flange | 95493000 | - | 1 |
| 6 | nut | 93086000 | - | 1 |
| 7 | O-Ring 22x2 | 98185000 | - | 1 |
| 8 | O-ring 27x1,5 | 92527000 | - | 1 |
| 9 | cartridge, assy | 95973001 | - | 1 |
| 10 | seal | 98865000 | - | 1 |
| 11 | plug | 93087000 | - | 1 |
| 12 | screw | 93088000 | - | 1 |
| 13 | O-ring 32x1,5 | 92936000 | - | 1 |
| 14 | O-ring 24x2 | 98388000 | - | 1 |
| 15 | O-ring 26x1,5 | 98390000 | - | 1 |
| 16 | flat seal | 98749000 | - | 1 |
| 17 | fixing set (Ø 32) | 13961000 | - | 1 |
| 18 | lever collar | 97548000 | - | 1 |
| 19 | connection hose 23½" M8x0,75 3/8" | 98600001 | - | 1 |
| a | spout 165 mm | 93084000 | - | 1 |
| b | spray former | 93085000 | - | 1 |
| c | handle | 93083000 | - | 1 |