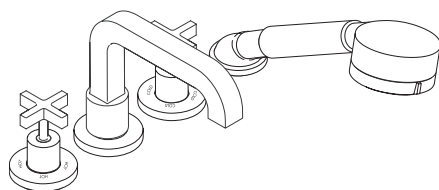


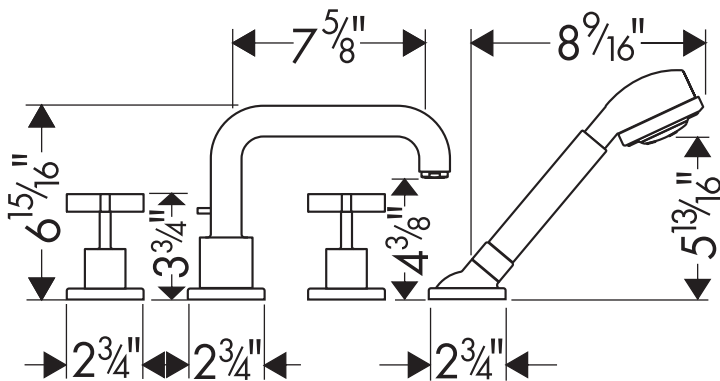
Installation Instructions / Warranty



Citterio
39453XX1

AXOR[®]
hansgrohe

Axor Citterio four-hole roman tub set 39453XX1



Technical Data

Flow rate @ 45 psi	6.0 gpm per side
Handshower	2.5 gpm max.
Maximum water pressure	145 psi
Recommended water pressure:	14.5 - 75 psi
Recommended hot water temp.:	120°F - 140°F*

*Some municipalities limit the maximum water temperature from the water heater to 120° or below. Please know and follow all applicable local codes when setting the temperature on the water heater.

Installation Considerations

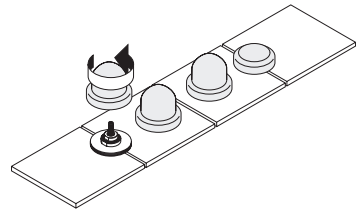
- Roman tub rough 13444181 must be installed, and the finished deck surface must be complete before this trim kit can be installed.
- Backflow preventer cartridge 94146000 is included with this kit, and must be used to provide protection from back siphonage. It is already installed on the 94148000 inner Secu-flex hose.

The 13444181 roman tub rough is listed by IAPMO.

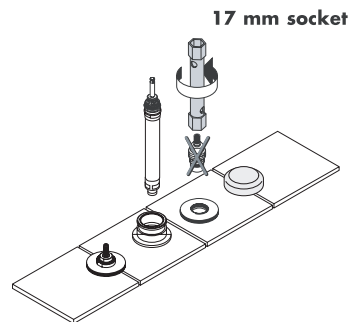
Installation Instructions

The water supply must be turned off at the main prior to installation of this kit.

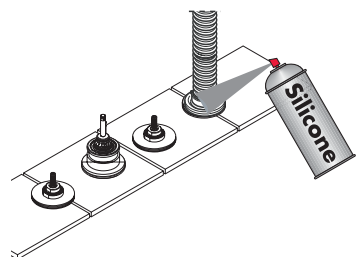
- Remove the plastic plaster shields from the valves and the spout tee. Use a phillips head screwdriver to remove the screws from the white plastic handle snap connectors. Remove the snap connectors.



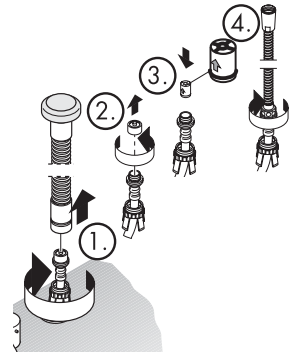
- Remove the brass nut from the spout tee. Push the diverter firmly into the spout tee.



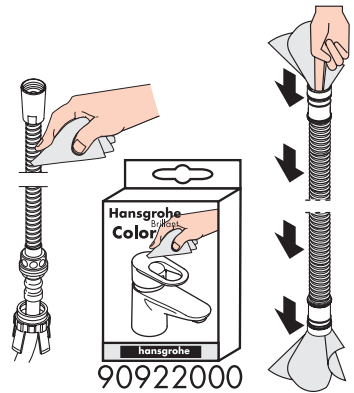
- Pull the outer Secuflex™ hose through the handshower mount.
- Lubricate the handshower mount and outer Secuflex™ hose with spray silicon lubricant or with a tablespoon or so of water.



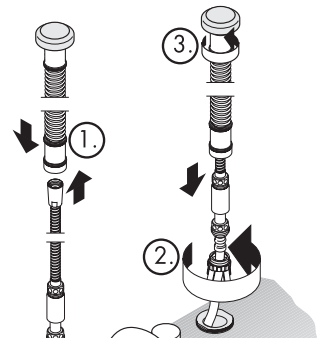
- Pull the outer Secuflex™ hose completely from the handshower mount. Unscrew the outer Secuflex™ hose (1) from the handshower connector hose (2). Do not allow the handshower connector hose to fall back through the hole!
- Remove the brass plug (3) from the handshower connector hose (2).
- Install the check valve (4) to the handshower connector hose. Make sure that the arrow on the check valve points in the direction of the water flow!



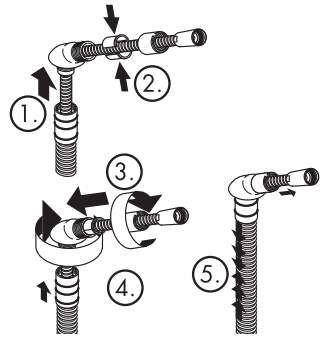
- Use the enclosed cleaning towelette to thoroughly clean the outer Secuflex™ hose.



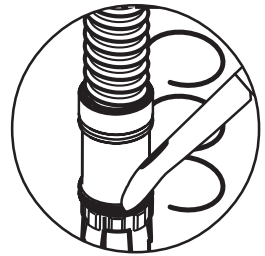
- Feed the inner Secuflex™ hose through the outer Secuflex™ hose (1)
- Attach the inner Secuflex™ hose to the handshower connector hose (2).
- Remove the plaster guard from the outer Secuflex™ hose (3).



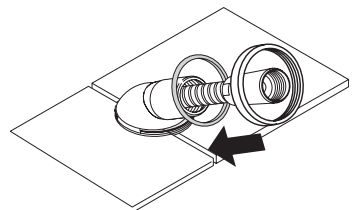
- Remove the end cap and the liner from the handshower holder.
- Compress the outer hose until you can grasp the end of the inner hose
- Feed the inner hose through the handshower holder (1), liner (2), and end cap (3).
- Screw the end cap (4) over the end of the handshower holder.
- Continue pulling "out" on the inner hose (5).



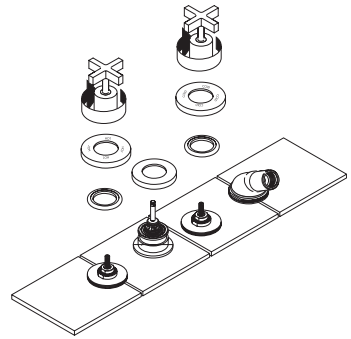
- Use a knife to cut the o-rings at the end of the outer hose.
- Feed the hoses back through the handshower mount.



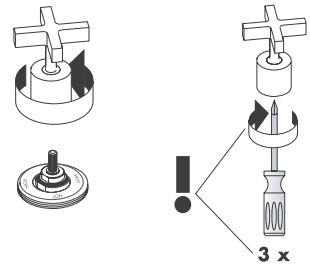
- Place the handshower holder onto the handshower mount so that the pin on the mount engages the corresponding hole on the handshower holder.
- Secure the handshower holder to the handshower mount with the retainer ring.



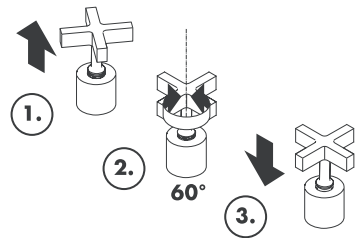
- Screw the sub-escutcheon rings onto the hot and cold valves..
- Press the hot and cold escutcheons over the sub-escutcheon rings.
- Inspect the handles, making sure that they are aligned properly.



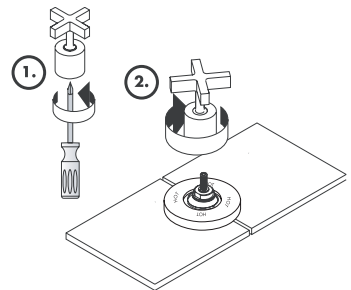
- If the handle is not straight, remove it from the valve by grasping the barrel and turning it counter clockwise.
- Use a phillips head screwdriver to loosen the screw inside the handle assembly 3 complete turns clockwise.



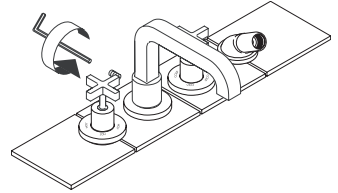
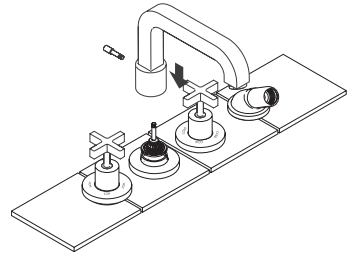
- Pull upward on the cross to remove it. Turn it approximately 60°. Reinsert it.



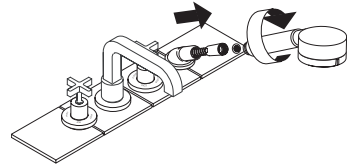
- Tighten the screw. Reinstall the handle.



- Place the spout escutcheon over the diverter assembly. Push the spout down over the diverter. Insert the diverter knob and tighten. Tighten the set screw, using the enclosed 3 mm allen wrench.



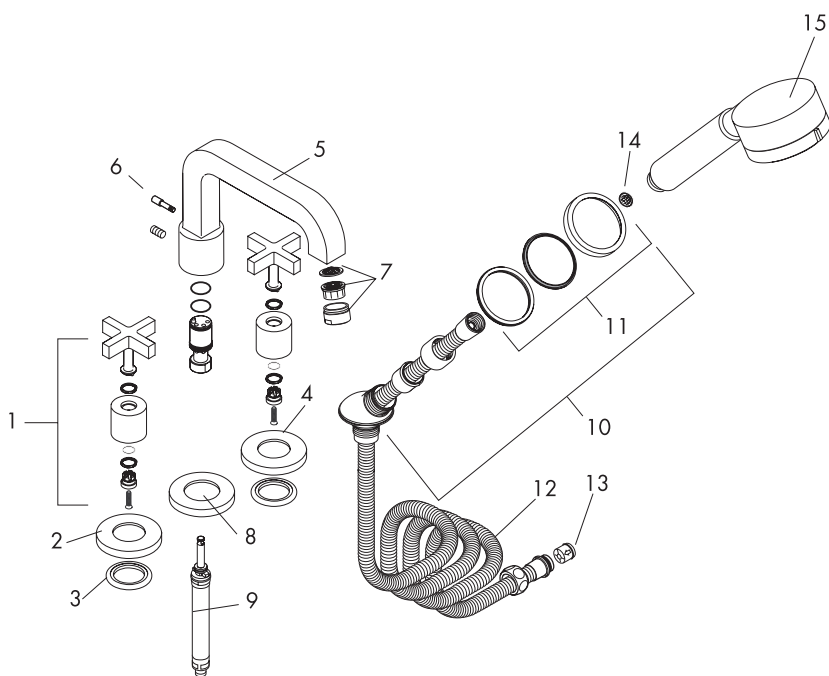
- Pull outward on the inner Secu-flex hose. Install a screen washer in the hose end connector. Install the handshower.
- Guide the handshower back into the handshower holder.



User Instructions

- Turn the left handle to obtain hot water, the right handle to obtain cold water.
- When the water comes on, it will come through the spout. Pull the diverter lever up to divert the water to the handshower. When the water is turned off, the diverter will automatically reset to the spout position.

Replacement Parts



1	handle	39292XX0
2	hot escutcheon	96771XX0
3	sub-escutcheon	
4	cold escutcheon	96772XX0
5	spout	96773XX0
6	diverter knob	96774XX0
7	aerator	13956XX0
8	spout escutcheon	97779XX0
9	diverter	96775000
10	handshower holder	96483XX0
11	handshower holder escutcheon	96237XX0
12	inner Secuflex hose	94148000
13	backflow preventer cartridge	94074000
14	screen washer	94246000
15	Uno handshower	38850XX1

XX = color
 00 = chrome
 42 = platinum

Troubleshooting

Problem	Possible Cause	Solution
Water drips from spout when unit is turned off.	Valve cartridge is dirty or faulty.	Remove and clean valve cartridge. Replace if faulty.
Water leaks from under spout.	Set screw is too tight. Diverter is not straight.	Loosen set screw slightly Remove and reinstall diverter, pressing diverter evenly into place.
Handspray does not retract easily.	Diverter is faulty. Inner Secu-flex hose should be cleaned and lubricated.	Replace diverter. Pull out handshower. Clean and lubricate inner Secuflex hose with cloth sprayed with silicon sealant.
When handspray is pulled out, handshower holder comes off of tub.	Handshower holder not installed correctly.	Reinstall handshower holder according to installation instruction.

Cleaning Recommendation for Hansgrohe Products

Modern faucetry and shower products utilize a combination of materials to comply with the needs of the market with regard to design and functionality.

To avoid damage, it is necessary to use some caution when cleaning. Damage caused by improper treatment is not covered under the Hansgrohe warranty.

Cleaning Materials for Faucets and Showers

- To remove lime scale, use only products made specifically for that purpose. Always follow the manufacturer's instructions when using.
- Do not use cleaners that contain hydrochloric, formic, acetic, or phosphoric acids, as these will cause considerable damage to finishes and to plastic components.
- Never mix cleaning materials.
- Never use cleaners containing abrasives. Do not use abrasive cleaning cloths, pads, or sponges.

Cleaning Procedures

- Clean your faucets and shower products as and when required. Regular cleaning will prevent scale buildup and water spotting.
- Follow the label instructions. Do not allow any cleaner to remain on the product for longer than necessary.
- When using spray cleaners, spray first onto a sponge or cloth – do not spray directly onto the product.
- After cleaning, rinse thoroughly with clear water to remove any cleaner residue.

Important

- Soap and shampoo residue can also cause damage to the product. Rinse well with clean water after use.
- If the surface is already damaged, harsh cleaning materials will cause further damage.

Limited Lifetime Consumer Warranty

This product has been manufactured and tested to the highest quality standards by Hansgrohe, Inc. ("Hansgrohe"). This warranty is limited to Hansgrohe products which are purchased by a consumer in the United States after March 1, 1996, and installed in either the United States or Canada.

WHO IS COVERED BY THE WARRANTY

This warranty extends to the original consumer purchaser only.

WHAT IS COVERED BY THE WARRANTY

This warranty covers only your Hansgrohe manufactured product. Hansgrohe warrants this product against defects in material or workmanship as follows: Hansgrohe will repair at no charge for parts only or, at its option, replace any product or part of the product which proves defective because of improper workmanship and/or material, under normal installation, use, service and maintenance. If Hansgrohe is unable to provide a replacement and repair is not practical or cannot be timely made, Hansgrohe may elect to refund the purchase price in exchange for the return of the product.

LENGTH OF WARRANTY

Replacement or repaired parts of products will be covered for the term of this warranty as stated in the following two sentences. If you are a consumer who purchased the product for use primarily for personal, family, or household purposes, this warranty extends for as long as you own the product and the home in which the product is installed. If you purchased the product for use primarily for any other purpose, including, without limitation, a commercial purpose, this warranty extends only (i) for 1 year, with respect to Interaktiv and Retroaktiv products, and (ii) for 5 years, with respect to AXOR, ShowerPower and Pharo products.

THIS WARRANTY DOES NOT COVER, AND HANSGROHE WILL NOT PAY FOR:

- A. Conditions, malfunctions or damage not resulting from defects in material or workmanship.
- B. Conditions, malfunctions or damage resulting from (1) improper installation, improper maintenance, misuse, abuse, negligence, accident or alteration, or (2) the use of abrasive or caustic cleaning agents or "no rinse" cleaning products, or the use of the product in any manner contrary to the product instructions.
- C. Labor or other expenses for the disconnection or return of the product for warranty service, or for installation or reinstallation of the product.
- D. Accessories or related products not manufactured by Hansgrohe.

TO OBTAIN WARRANTY SERVICE

Contact your Hansgrohe retailer, or write to Technical Service at:

Hansgrohe Inc.
1492 Bluegrass Lakes Parkway
Alpharetta GA 30004

Or, call Hansgrohe toll-free at (800) 334-0455.

In requesting warranty service, you will need to provide

- 1. The sales receipt or other evidence of the date and place of purchase.
- 2. A description of the problem.
- 3. Delivery of the product or the defective part, postage prepaid and carefully packed and insured, to Hansgrohe Inc. 1492 Bluegrass Lakes Parkway, Alpharetta, Georgia 30004, Attention: Technical Service, if required by Hansgrohe.

When warranty service is completed, any repaired or replacement product or part will be returned to you postage prepaid.

EXCLUSIONS AND LIMITATIONS

REPAIR OR REPLACEMENT (OR, IN LIMITED CIRCUMSTANCES, REFUND OF THE PURCHASE PRICE) AS PROVIDED UNDER THIS WARRANTY IS THE EXCLUSIVE REMEDY OF THE PURCHASER. HANSGROHE NEITHER ASSUMES NOR AUTHORIZES ANY PERSON TO CREATE FOR IT ANY OBLIGATION OR LIABILITY IN CONNECTION WITH THIS PRODUCT.

HANSGROHE SHALL NOT BE LIABLE TO PURCHASER OR ANY PERSON FOR ANY INCIDENTAL, SPECIAL, OR CONSEQUENTIAL DAMAGES, ARISING OUT OF BREACH OF THIS WARRANTY OR ANY IMPLIED WARRANTY (INCLUDING MERCHANTABILITY).

Some States do not allow the exclusion or limitation of incidental or consequential damages, so the above limitation or exclusion may not apply to you.

This warranty gives you specific legal rights, and you may have other rights which vary from State to State.

You may be required by law to give us a reasonable opportunity to correct or cure any failure to comply before you can bring any action in court against us under the Magnuson-Moss Warranty Act.

PRODUCT INSTRUCTIONS AND QUESTIONS

Upon purchase or prior to installation, please carefully inspect your Hansgrohe product for any damage or visible defect. Prior to installing, always carefully study the enclosed instructions on the proper installation and the care and maintenance of the product. If you have questions at any time about the use, installation, or performance of your Hansgrohe product, or this warranty, please call or write to us at the toll-free number and address printed above.

hansgrohe

Hansgrohe Inc.

1490 Bluegrass Lakes Parkway
Alpharetta GA 30004
770 360 9880
website: www.hansgrohe-USA.com