

27454 Wall Outlet

Installation

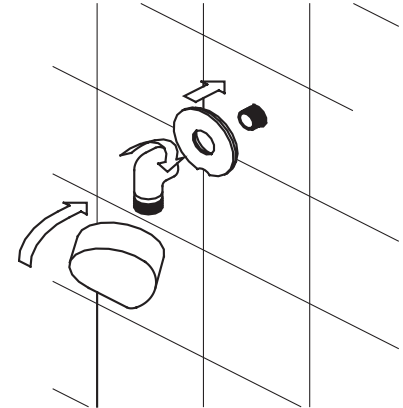
This unit requires a 1/2" male threaded pipe fitting extending 3/4" outside the surface of the finished wall.

Wrap the pipe fitting with two layers of Teflon™ thread tape. Seal the wall around the pipe fitting with silicone.

Install the female end of the elbow through the gasket and onto the fitting. Test for leaks.

Install the cover over the elbow and snap into place on the gasket.

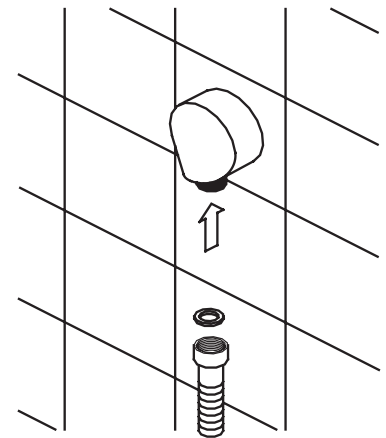
Install the handshower hose.



Care Instructions

Regular cleaning with a mild soap/water solution and a soft cloth will keep your finish looking new. Rinse thoroughly with clear water and polish dry with a soft cloth.

Do not use cleaners containing solvents, acids, or abrasives.



Backflow Prevention

This wall outlet does not include a backflow prevention device, which is required by code in many areas. We recommend the use of Hansgrohe model 06510 vacuum breaker or a comparable device. The Hansgrohe 06510 vacuum breaker should be installed between the hose and the wall outlet, NOT between the handshower and the hose.

