

**Metris S**

**Widespread Faucet 100 with Lever Handles and Pop-Up Drain, 0.5 GPM**

Finishes : **chrome** Part no. : **31013001**



**Description**

**Features**

- Aerated spray
- Flow: 0.5 GPM (1.9 L/Min)
- 90° ceramic valves
- Includes pop-up drain

**Item details**

List Price \$ 652.00

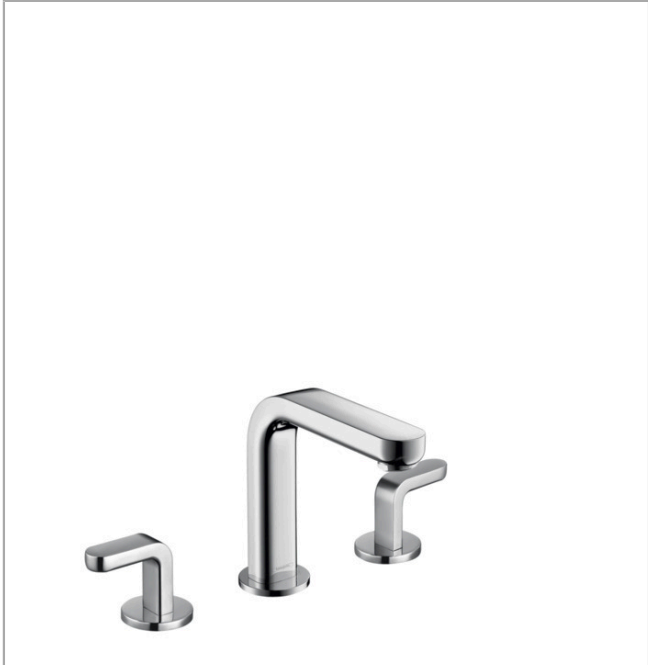
**Technology**



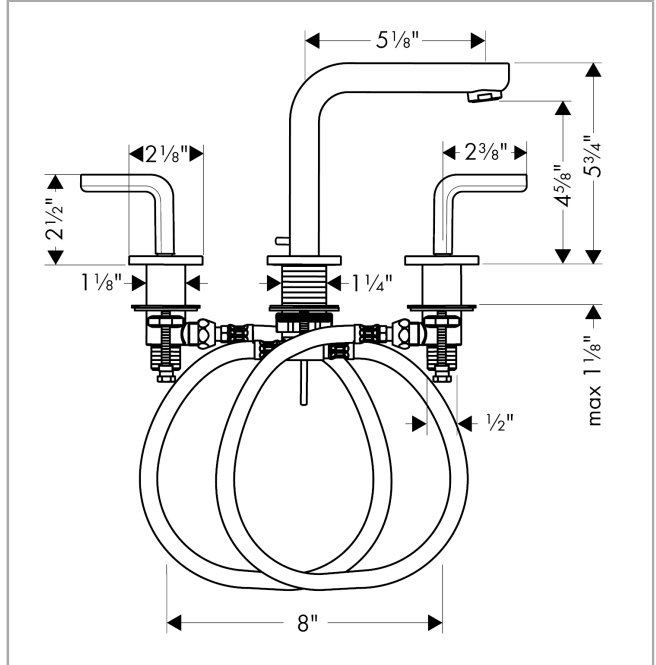
**Compliance**



**Product image**



**Scale drawing**



**Metris S**

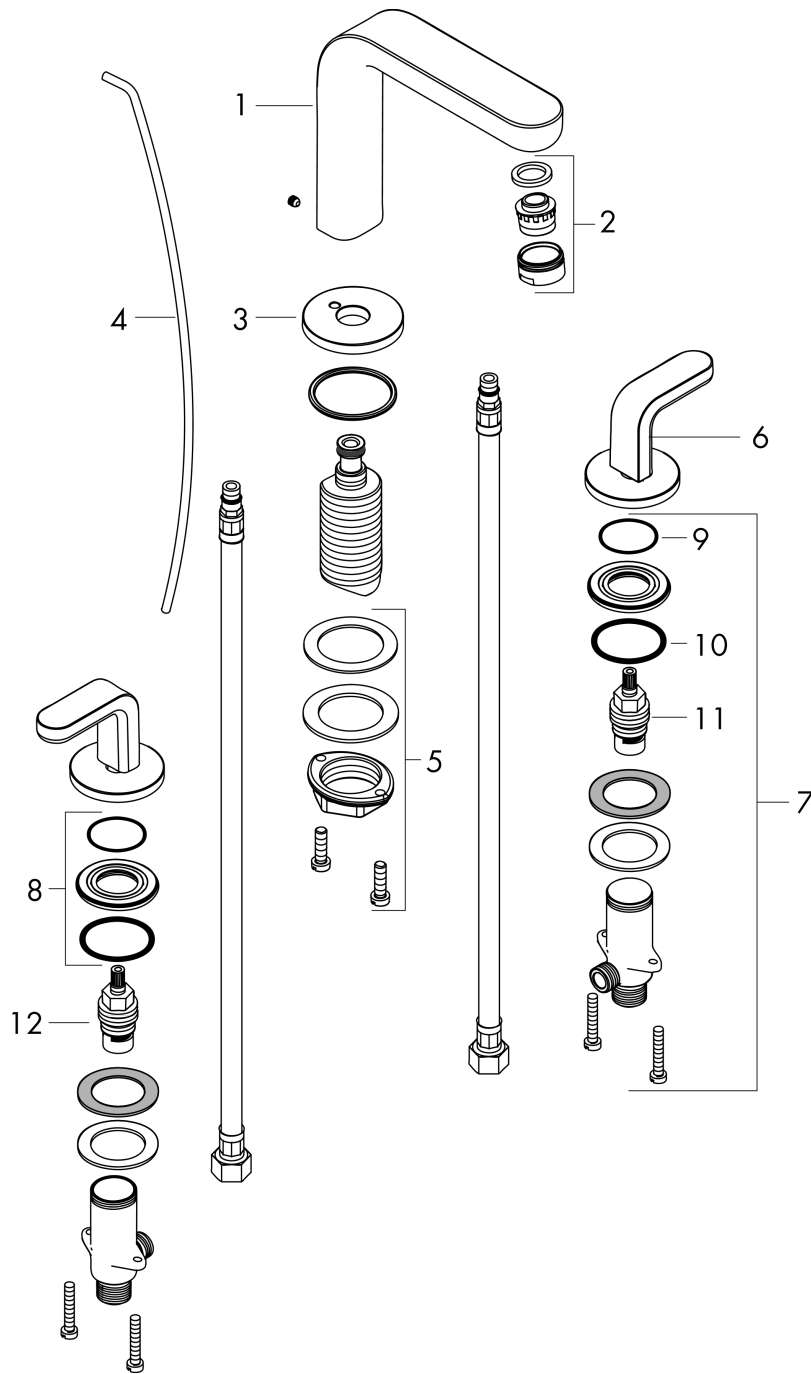
**Widespread Faucet 100 with Lever Handles and Pop-Up Drain, 0.5 GPM**

Finishes : **chrome** Part no. : **31013001**



**Exploded drawing**

Year of production: >10/19



## Metris S

Widespread Faucet 100 with Lever Handles and Pop-Up Drain, 0.5 GPM

Finishes : **chrome** Part no. : **31013001**



### Spare parts list

Year of production: >10/19

Pos.	Description	Part no.	Price	PU
1	spout cpl.	97504000	-	1
2	aerator M24x1 (1,9 l/min)	93502000	-	1
3	escutcheon for spout	97505000	-	1
4	pull rod	96657000	-	1
5	fixing set (Ø 32)	13961000	-	1
6	handle for cold water	98827000	-	1
7	stop valve cpl.	97357001	-	1
8	nut	92854000	-	1
9	O-Ring 32x2,5	96364000	-	1
10	O-ring 40x3	92634000	-	1
11	shut off unit left closing	94008000	-	1
12	shut off unit right closing	94009000	-	1
a	handle for hot water	98826000	-	1
b	pop up waste	88509000	-	1
c	connection hose 18½" M8x0,75 3/8"	96321001	-	1
d	O-ring 7x1,5	98422000	-	1
e	O-ring 11x2	98127000	-	1
f	lever collar	97548000	-	1