

**BIDET FAUCET  
K-960-4**

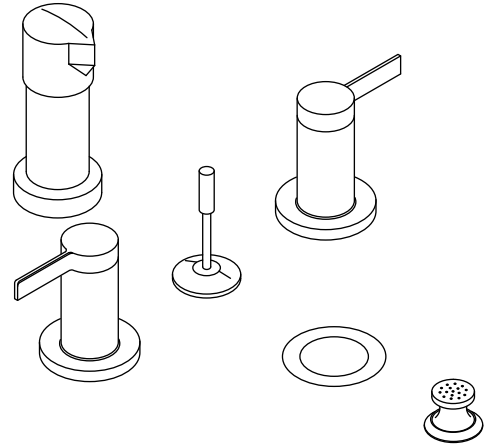
**Features**

- Metal construction
- Flexible connections
- Quarter-turn washerless ceramic disc valves
- Pop-up drain with lift rod and tailpiece
- Lever handles
- Vertical spray
- Fixture-mount transfer valve/vacuum breaker

**Codes/Standards Applicable**

Specified model meets or exceeds the following:

- ASME A112.18.1/CSA B125.1
- ASSE 1001



**Colors/Finishes**

- CP: Polished Chrome
- Other: Refer to Price Book for additional colors/finishes

**Specified Model**

Model	Description	Colors/Finishes
K-960-4	Bidet faucet	<input type="checkbox"/> CP <input type="checkbox"/> Other _____

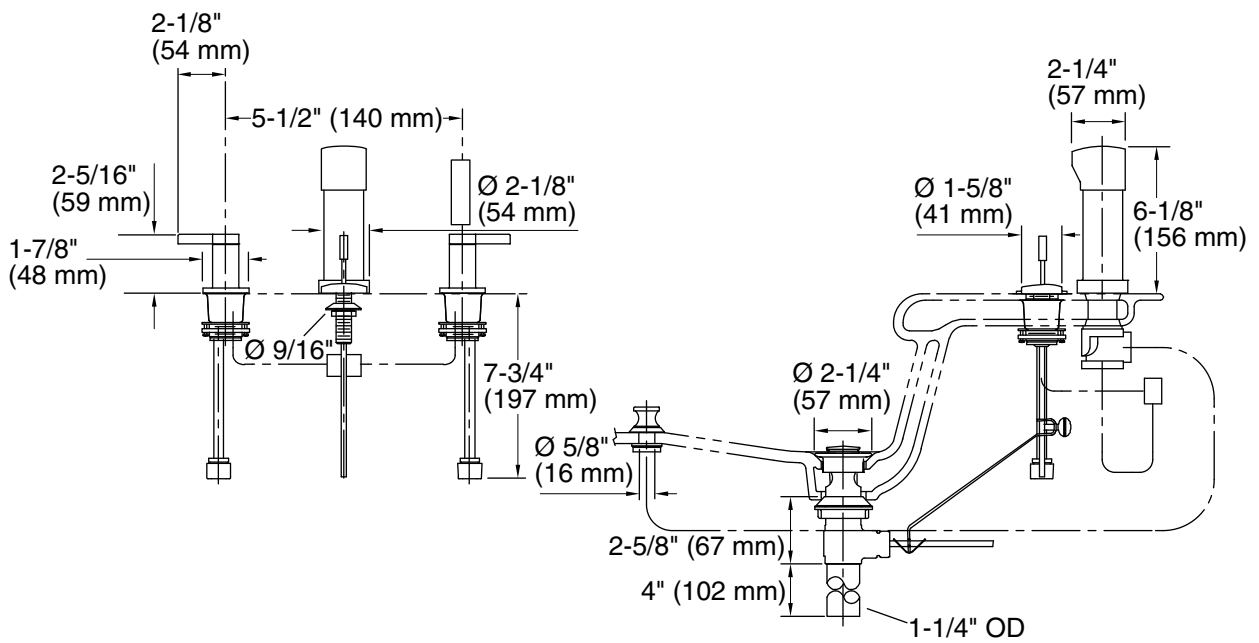
**Product Specification**

Two-handle fixture-mount bidet faucet shall be of metal construction. Faucet shall feature quarter-turn washerless ceramic disc valves. Product shall include flexible connections, pop-up drain with lift rod and tailpiece, lever handles, vertical spray, and fixture-mount transfer valve/vacuum breaker. Faucet shall be Kohler Model K-960-4-\_\_\_\_\_.

# STILLNESS®

## Installation Notes

Install this product according to the installation guide.



## Product Diagram