

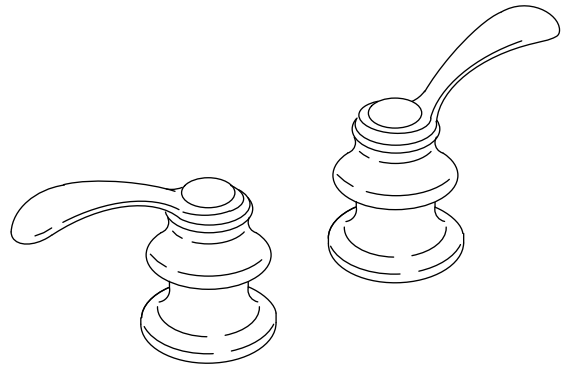
**Features**

- Brass construction
- Deck-mount
- ADA compliant lever handles

**Codes/Standards Applicable**

Specified model meets or exceeds the following:

- ASME A112.18.1/CSA B125.1
- ADA
- ICC/ANSI A117.1



**Colors/Finishes**

- CP: Polished Chrome
- PB: Vibrant® Polished Brass
- Other: Refer to Price Book for additional colors/finishes

**Accessories**

- Other: Refer to Price Book for additional colors/finishes
- NA: None applicable

**Specified Model**

Model	Description	Colors/Finishes		
K-T12887-4	Fairfax® Bath or Deck-Mount High-Flow Valve Trim	<input type="checkbox"/> CP	<input type="checkbox"/> PB	<input type="checkbox"/> Other _____
<b>Required Accessories</b>				
K-300-K	1/2" High-Flow Ceramic Disc Valve System <b>OR</b>	<input type="checkbox"/> NA		
K-301-K	3/4" High-Flow Ceramic Disc Valve System <b>OR</b>	<input type="checkbox"/> NA		
K-300-KR	1/2" High-Flow Ceramic Disc Valve System	<input type="checkbox"/> NA		
<b>Optional Accessories</b>				
K-12003	Plug Button Set	<input type="checkbox"/> Other _____		
73444	Deep roughing-in kit for high-flow deck-mount bath faucets (all handles)	<input type="checkbox"/> NA		

**Product Specification**

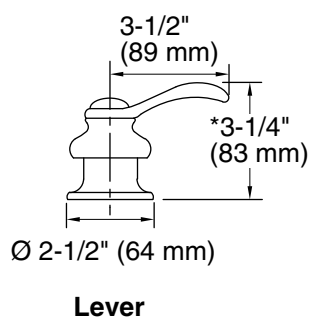
Two-handle Bath or deck-mount high-flow valve trim shall be of brass construction. Product shall include lever handles. Valve trim shall be Kohler Model K-T12887-4-\_\_\_\_ and valve system shall be Kohler Model K-300-K-NA, K-300-KR-NA, K-301-K-NA.

# FAIRFAX®

## Installation Notes

Install this product according to the installation guide.

\*Dimensions shown allow +/- 1/4" (6 mm) handle adjustment during handle trim installation.



## Product Diagram