



**BOTTLE TRAP
K-9033**

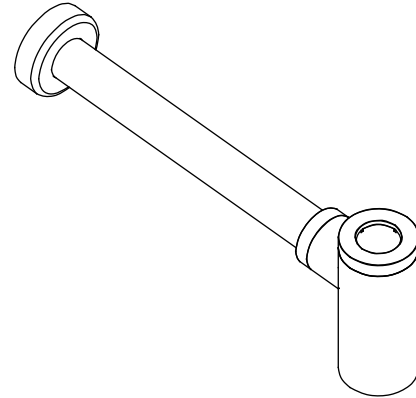
Features

- Metal construction
- Intended for console table and vessel installations
- 1-1/4" diameter slip-fit inlet
- Removable trap eye for easy cleaning
- Contemporary design
- Includes 12" (305 mm) extension tube

Codes/Standards Applicable

Specified model meets or exceeds the following:

- ASME A112.18.2/CSA B125.2



Colors/Finishes

- CP: Polished Chrome
- Other: Refer to Price Book for additional colors/finishes

Specified Model

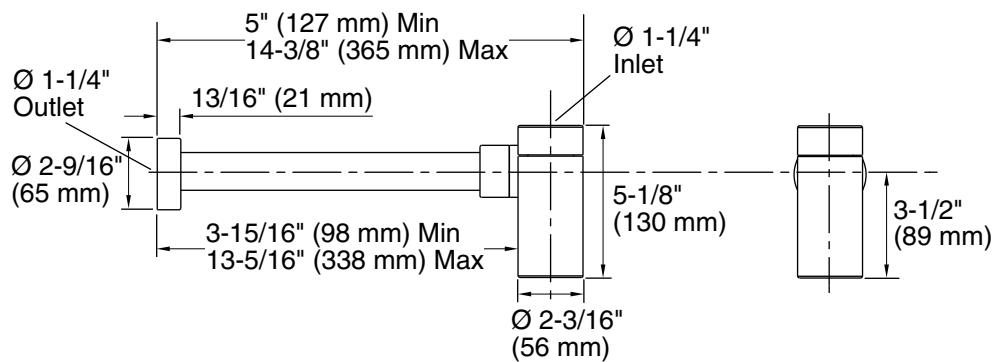
Model	Description	Colors/Finishes	
		<input type="checkbox"/> CP	<input type="checkbox"/> Other_____
K-9033	Bottle trap	<input type="checkbox"/> CP	<input type="checkbox"/> Other_____

PRODUCT SPECIFICATION

Bottle trap shall be made of metal construction. Product shall be for console table and vessel installations. Product shall include a 12" (305 mm) extension tube, 1-1/4" diameter slip-fit inlet, and removable trap eye for easy cleaning. Product shall have a contemporary design. Product shall be Kohler Model K-9033-_____.

Installation Notes

Install this product according to the installation guide.



Product Diagram