

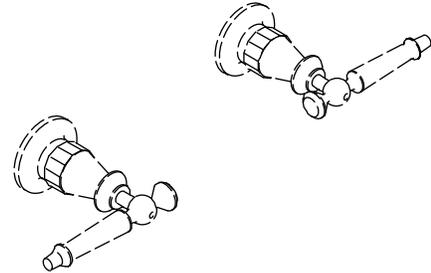
Features

- Brass construction
- Brass valve bodies
- Quarter-turn washerless ceramic disc valves
- For 8" (203 mm) centers
- Available with six-prong or lever handles

Codes/Standards Applicable

Specified model meets or exceeds the following:

- ASME A112.18.1/CSA B125.1



Colors/Finishes

- CP: Polished Chrome
- PB: Vibrant® Polished Brass
- Other: Refer to Price Book for additional colors/finishes

Accessories

- CP: Polished Chrome
- PB: Vibrant® Polished Brass
- Other: Refer to Price Book for additional colors/finishes

Specified Model

Model	Description						
K-124-3	Valve trim with six-prong handles	<input type="checkbox"/> CP	<input type="checkbox"/> PB	<input type="checkbox"/> Other			
K-124-4	Valve trim with lever handles				<input type="checkbox"/> CP	<input type="checkbox"/> PB	<input type="checkbox"/> Other
Optional Accessories							
K-9639	Large lever insert, single				<input type="checkbox"/> CP	<input type="checkbox"/> PB	
K-9659	Large lever insert, single						<input type="checkbox"/> Other
56373	Deep roughing-in kit for wall-mount and shower faucets				<input type="checkbox"/> CP		<input type="checkbox"/> Other

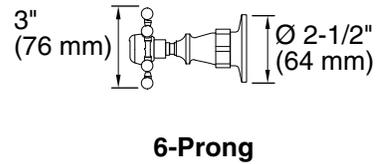
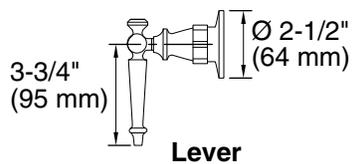
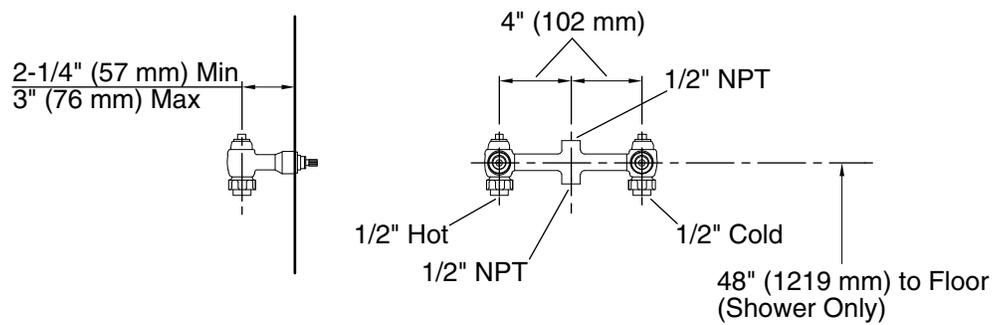
Product Specification

Two-handle valver trim shall be of brass construction and feature brass valve bodies. Valve trim shall feature 1/2" quarter-turn washerless ceramic disc valves. Valve trim shall include 8" (203 mm) centers and handles. Valve trim shall be Kohler Model K-124-_____-_____.

ANTIQUETM

Installation Notes

Install this product according to the installation guide.



Product Diagram