



**Fairfax®**  
Toilet Tissue Holder  
**K-12157**

**Features**

- KOHLER finishes resist corrosion and tarnish.
- Coordinates with other products in the Fairfax collection.
- 6-1/2" (165 mm) x 3-3/8" (86 mm) x 4-3/4" (121 mm)

**Material**

- Solid brass construction.

**Components**

Additional included component/s: Installation hardware.



**Codes/Standards**




None Applicable

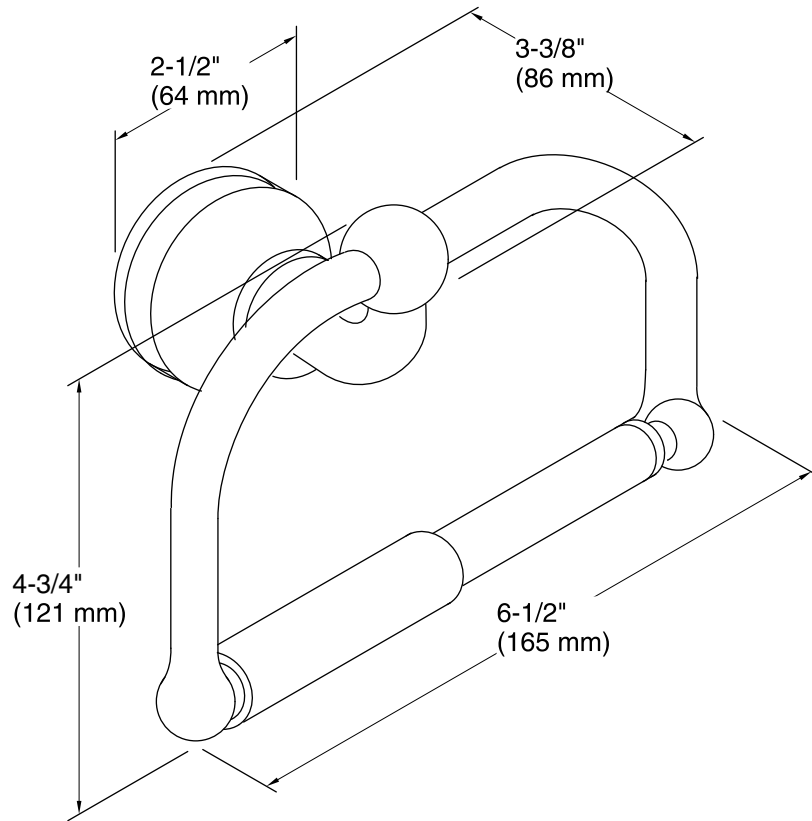
**KOHLER® Faucet Lifetime Limited  
Warranty**

See website for detailed warranty information.

**Available Color/Finishes**

*Color tiles intended for reference only.*

Color	Code	Description
	CP	Polished Chrome
	BN	Vibrant® Brushed Nickel
	2BZ	Oil-Rubbed Bronze



### Technical Information

All product dimensions are nominal.

### Notes

Install this product according to the installation guide.