

Features

- Vertical spray.
- Washerless ceramic valving.
- Fixture-mount transfer valve/vacuum breaker.
- Flexible supply lines simplify installation on 8" - 16" centers.
- Pop-up drain with 1-1/4" tailpiece.
- Ergonomic lever handle rotation.

Material

- Solid brass construction.

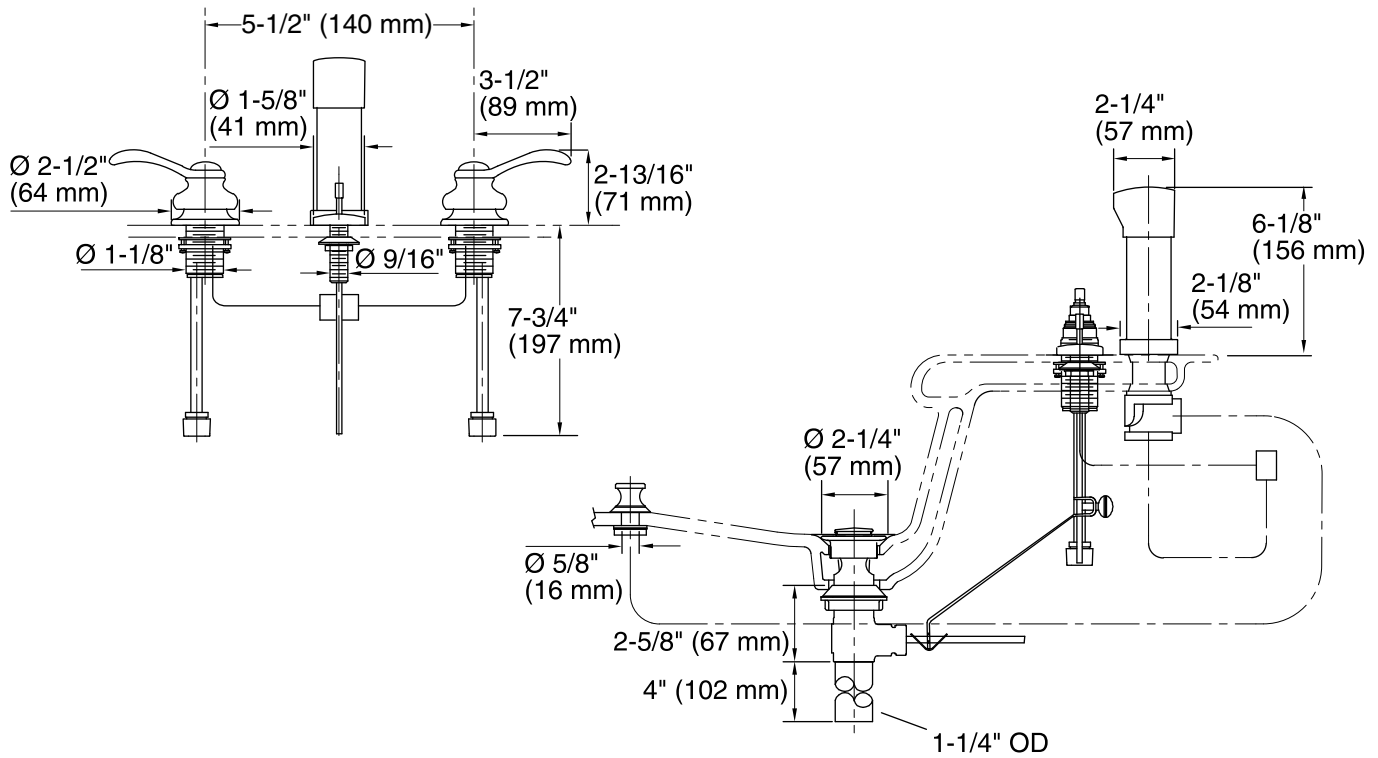


Codes/Standards

ASME A112.18.1/CSA B125.1
CSA B64
ASSE 1001

KOHLER® Faucet Lifetime Limited Warranty

See website for detailed warranty information.



Technical Information

All product dimensions are nominal.

Notes

Install this product according to the installation guide.