



#### Features

- End drain.
- Integral lumbar support.
- Textured bottom surface.
- 60" (1524 mm) x 42-1/4" (1073 mm) x 21" (533 mm)

#### Material

- Acrylic

#### Hydrotherapy

- Single-speed whirlpool offers 8 fully adjustable hydro-massage jets for water flow and direction.
- Pump with air switch for whirlpool.

#### Installation

- Drop-in

#### Recommended Accessories

- K-1491 Bath/Whirlpool Pillow
- K-7166-AF Bath Drain
- K-9698 Flexjet® Whirlpool Trim Kit
- K-24916 Wireless Music Kit
- K-7213 27" Cable Bath Drain
- K-7214 27" Cable Bath Drain
- K-7265 Clearflo Bath Drain
- K-37382 45" Rough-in Cable Bath Drain
- K-7161-AF Bath Drain



#### Codes/Standards




- ASME A112.19.7/CSA B45.10
- CSA B45.5/IAPMO Z124
- ASTM E162
- ASTM E662
- UL 1795
- Greenguard UL 2818 - Gold
- CARB P2

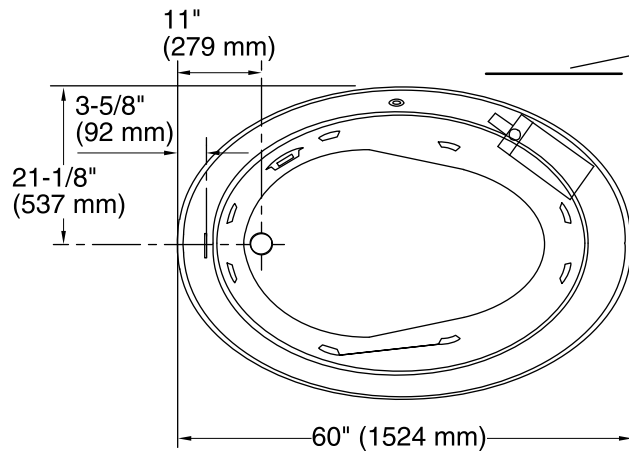
#### KOHLER® One-Year Limited Warranty

See website for detailed warranty information.

#### Available Color/Finishes

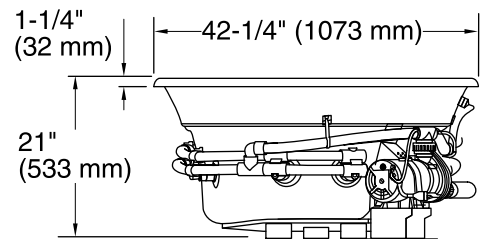
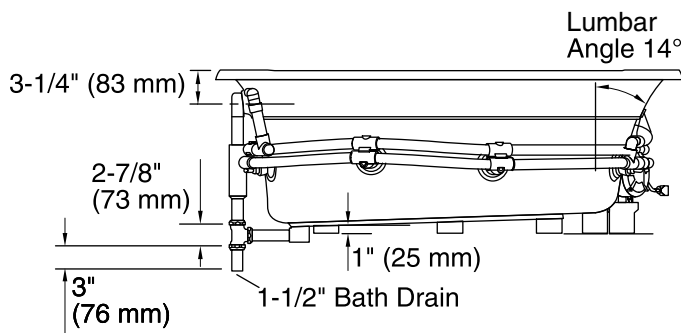
*Color tiles intended for reference only.*

Color	Code	Description
	0	White
	96	Biscuit
	47	Almond



Pump/ Control Access  
20" (508 mm) W x 15" (381 mm) H Min

No change in measurements if connected with drain illustrated. (K-7166-AF)



#### Required Electrical Service

One dedicated circuit required, protected with Class A Ground-Fault Circuit-Interrupter (GFCI) or Residual Current Device (RCD).

Pump: 120 V, 15 A, 60 Hz

#### Technical Information

All product dimensions are nominal.

Installation: Drop-in  
 Drain location: End  
 Basin area, bottom: 42" x 28" (1067 mm x 711 mm)  
 Basin area, top: 55" x 40" (1397 mm x 1016 mm)  
 Weight: 110 lbs (49.9 kg)  
 Minimum floor load: 43 lbs/ft<sup>2</sup> (209.9 kg/m<sup>2</sup>)  
 Water depth: 15-1/2" (394 mm)  
 Water capacity: 73 gal (276.3 L)  
 Template: Drop-in, 1017044-7, required, included  
 Electrical component rating: Pump: 120 V, 7.5 A, 60 Hz  
 Pump speed: Single  
 Minimum flat for door: 0" (0 mm)

#### Notes

Measure your actual product for rough-in details.

Install this product according to the installation instructions.

The hot water supply should be 70% of the capacity of the bath or greater. Installations will vary.

Provide one grounded electrical outlet within 24" (610 mm) of each component.