



Kelston®
Toilet Tissue Holder
K-13504

Features

- KOHLER finishes resist corrosion and tarnish.
- Coordinates with other products in the Kelston collection.
- 8-5/8" (219 mm) x 3-15/16" (100 mm) x 2-7/16" (62 mm)

Material

- Premium metal construction.

Components

Additional included component/s: Installation hardware.



Codes/Standards



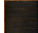
None Applicable

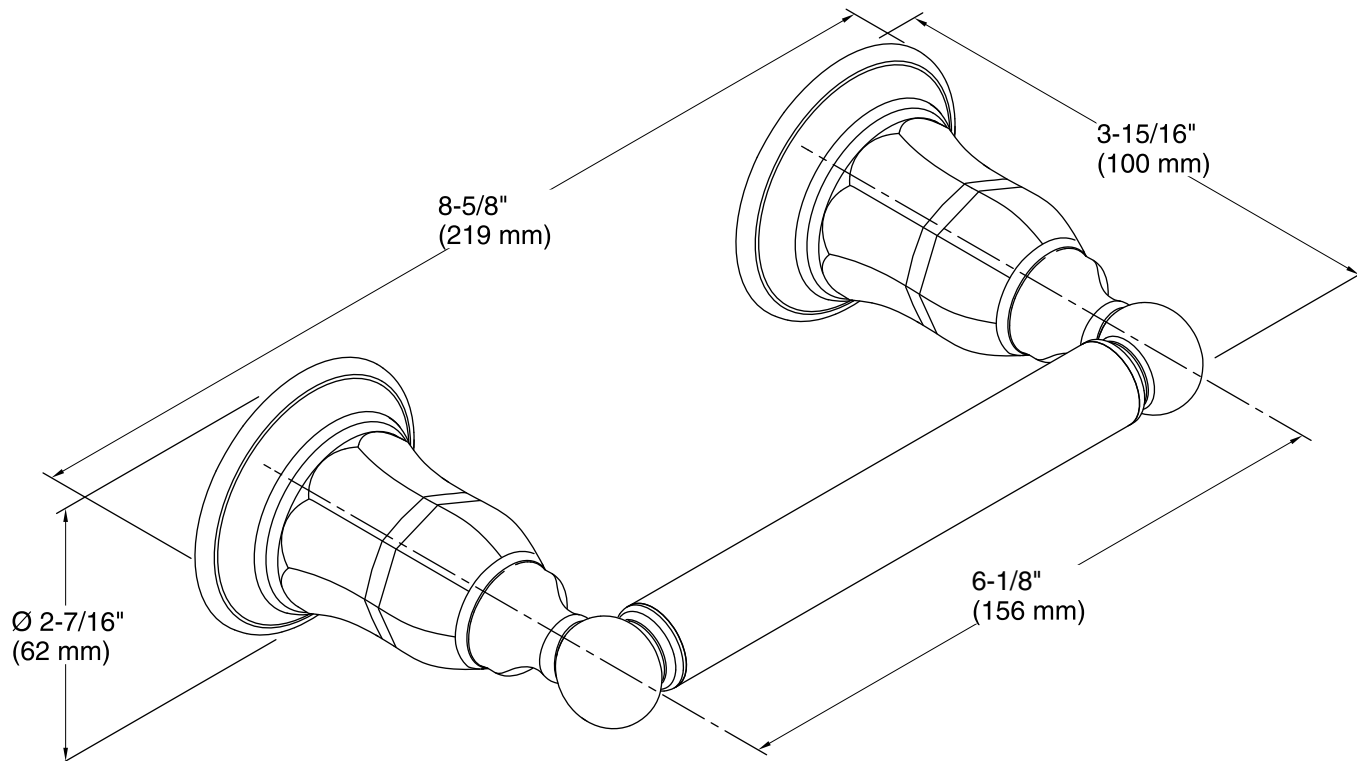
**KOHLER® Faucet Lifetime Limited
Warranty**

See website for detailed warranty information.

Available Color/Finishes

Color tiles intended for reference only.

Color	Code	Description
	CP	Polished Chrome
	BN	Vibrant® Brushed Nickel
	2BZ	Oil-Rubbed Bronze



Technical Information

All product dimensions are nominal.

Notes

Install this product according to the installation guide.

CAUTION: Risk of personal injury. Do not install these products in any area where they are likely to be used inadvertently as a grab bar or support bar. These products are not designed or intended for use as a grab bar or support bar.