

### Features

- Vitreous china.
- Drop-in.
- Round basin.
- 8-inch center faucet holes.
- With overflow.
- 19" (483 mm) diameter

### Recommended Accessories

K-8998 P-Trap



ADA

### Codes/Standards








ASME A112.19.2/CSA B45.1  
ADA  
ICC/ANSI A117.1

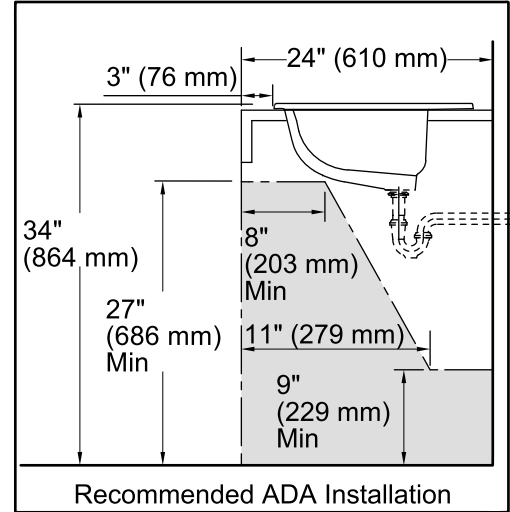
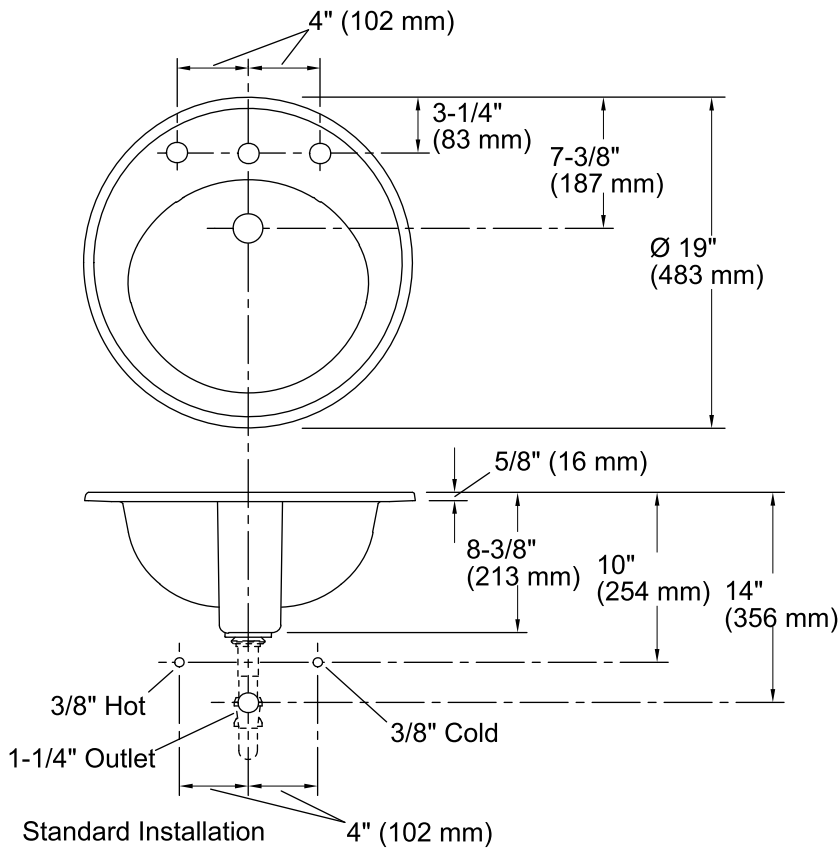
### KOHLER® One-Year Limited Warranty

See website for detailed warranty information.

### Available Color/Finishes

*Color tiles intended for reference only.*

Color	Code	Description
	0	White
	96	Biscuit
	47	Almond
	NY	Dune
	95	Ice™ Grey
	G9	Sandbar
	7	Black Black™



### Technical Information

All product dimensions are nominal.

Bowl configuration:	Single
Installation:	Drop-In
Bowl area (Only)	Length: $14'' (356 \text{ mm})$ Width: $12'' (305 \text{ mm})$ With overflow: Yes Water depth: $4'' (102 \text{ mm})$
Bowl area	With overflow: Yes
Number of deck holes:	3
Faucet hole(s):	$1\text{-}3/8'' (35 \text{ mm})$
Drain hole:	$1\text{-}3/4'' (44 \text{ mm})$

### Notes

Install this product according to the installation instructions.

**NOTICE:** Countertop manufacturer or cutter must use the cut-out template provided with the product or a current one provided by Kohler Co. (call 1-800-4KOHLER). Kohler Co. is not responsible for cut-out errors when incorrect cut-out template is used.

ADA compliant when installed to the specific requirements of these regulations.