

### Features

- Stream music wirelessly in the bath from a Bluetooth®\*-enabled personal device.
- Play music in the bathroom while taking a bath or getting ready to go out.
- Complete installation package that includes two speakers with wiring, amplifier, adhesive and instructions.
- Music system utilizes a 120 V plug.
- Wireless Music Kit is listed as a recommended accessory or upgrade, both on Kohler.com and on bath specification sheets, for compatible KOHLER rectangle or oval shaped acrylic bath models.
- \*The BLUETOOTH® word mark and logos are registered trademarks owned by Bluetooth SIG, Inc. and any use of such marks by Kohler Co. is under license. Other trademarks and trade names are those of their respective owners.



### Installation

- This accessory is not factory installed, and is designed to be retrofitted onto new baths in the field prior to the bath installation.
- Compatibility requirement: This accessory can be installed onto new installations of acrylic baths, as long as access to Wireless Music Kit components will be available after the installation of the bath. This product is not compatible with baths that are already installed, or apron soaking baths without an access panel.

### Components

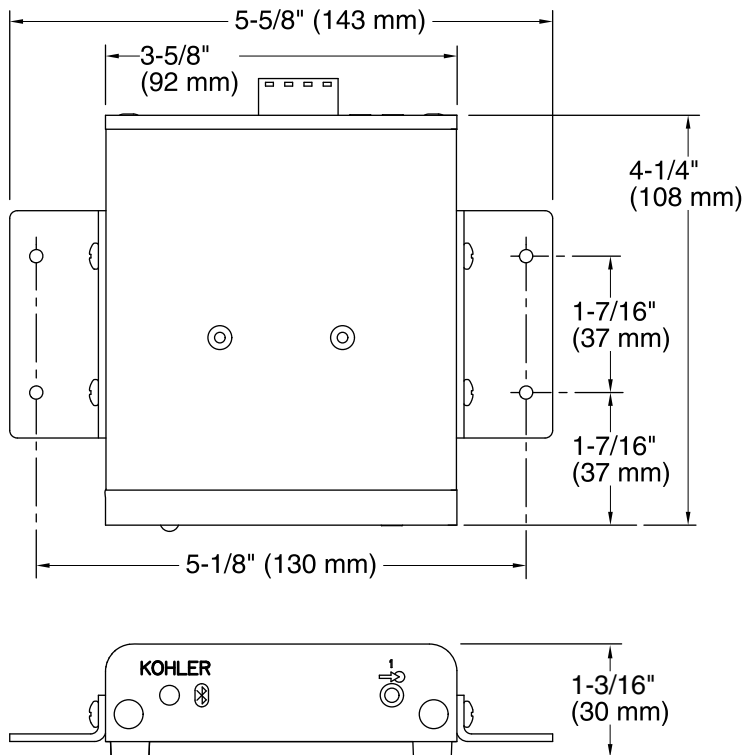
Additional included component/s: 99696-NA DTV+ Amplifier, Connector for two speakers, 6 ft. RJ45 cable, Power Supply with universal plug-in adapters for NA, UK, EU, SAA with 6 ft (1.8 M) cord, Speakers with 25 ft. of speaker wire, Brackets for wall or shelf mounting, Screws, and Drywall anchors.

### Codes/Standards

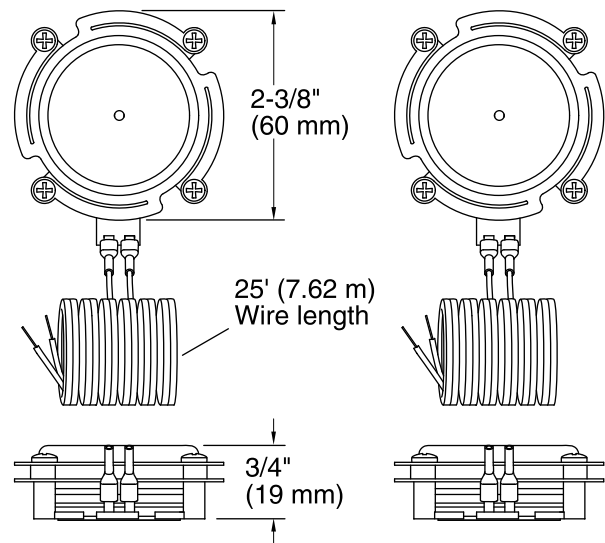
None Applicable

### KOHLER® One-Year Limited Warranty

See website for detailed warranty information.



**Amplifier Module**



**Speakers - Includes 2**

### Required Electrical Service

One circuit required, protected with Class A Ground-Fault Circuit-Interrupter (GFCI) or Residual Current Device (RCD).

120 V, 15 A, 60 Hz

### Technical Information

All product dimensions are nominal.

### Notes

Install this product according to the installation guide.

This product is intended for new bath installations only.

**CAUTION:** Risk of product damage. Do not install near heat sources (such as radiators or heat registers) or in any location where the temperature may exceed 104°F (40°C).

This product is not water-resistant. Do not install in a location where excessive moisture, high humidity levels, or condensation are present.

Provide a minimum of 6" (152 mm) of space around the amplifier for proper air flow.

Provide unrestricted service access to the amplifier.

Locate the amplifier within close proximity to a 15 A 120 V electrical outlet. A GFCI outlet may be required in certain applications.