



Cadence®
Top-mount Kitchen Sink
K-3145-4

Features

- Double equal bowls.
- Four faucet holes.
- 33" (838 mm) x 22" (558 mm) x 8-5/6" (211 mm)

Material

- 20-gauge stainless steel.

Technology

- Includes SilentShield® sound-absorption system.

Installation

- Top-mount

Optional Accessories

- 3293
- K-8801 Sink Strainer

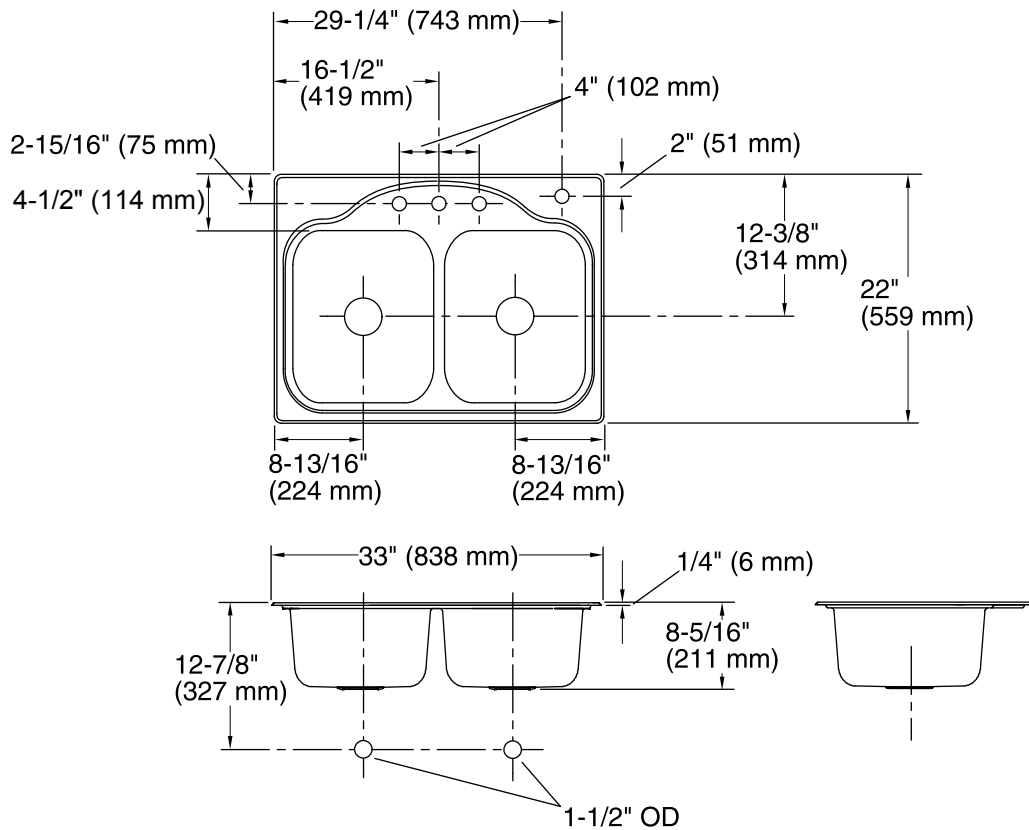


Codes/Standards

ASME A112.19.3/CSA B45.4

**Lifetime Limited Warranty for Kohler
Stainless Steel Sinks**

See website for detailed warranty information.



Technical Information

All product dimensions are nominal.

Bowl configuration: Double equal

Installation: Top-mount

Cutout: Top-mount, 32-1/2" x 21-1/2" (826 mm x 546 mm) with 1-1/2" (38 mm) radius corners

Min. base cabinet width: 36" (914 mm)

Bowl area (Left)
Length: 14-1/8" (359 mm)
Width: 15-3/4" (400 mm)
Bowl depth: 8-5/16" (211 mm)
Water depth: 8" (203 mm)

Bowl area (Right)
Length: 14-1/8" (359 mm)
Width: 15-3/4" (400 mm)
Bowl depth: 8-5/16" (211 mm)
Water depth: 8" (203 mm)

Number of deck holes: 4

Faucet hole(s): 1-7/16" (37 mm)

Drain hole: 3-3/4" (95 mm)

Notes

Install this product according to the installation instructions.