



Undertone®
Under-mount Kitchen Sink
K-3164

Features

- 21-inch minimum base cabinet width.
- 18-gauge stainless steel.
- Under-mount.
- Single compartment.
- Rounded bowl.
- With SilentShield® sound-absorption technology.
- 15-1/2" (394 mm) x 19-5/8" (500 mm)

Optional Accessories

- K-3278 Cutting Board
- K-3291 Colander
- K-8801 Sink Strainer

Components

- Product includes:
91915 Hardware Kit



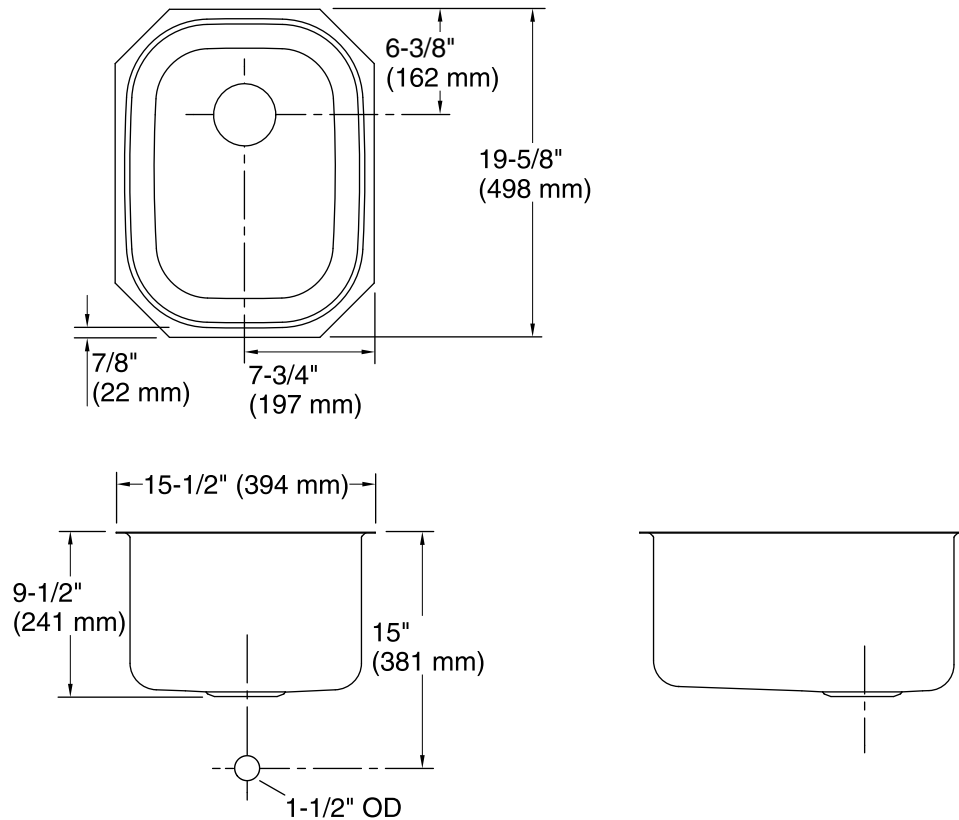
ADA

Codes/Standards

- ASME A112.19.3/CSA B45.4
- ADA
- ICC/ANSI A117.1

**Lifetime Limited Warranty for
KOHLER® Stainless Steel Sinks**

See website for detailed warranty information.



Technical Information

All product dimensions are nominal.

Bowl configuration:	Single
Installation:	Under-mount, Under-mount
Bowl area	Length: 13-3/4" (349 mm) Width: 17-7/8" (454 mm) Bowl depth: 9-1/2" (241 mm)
Drain hole:	3-5/8" (92 mm)
Template:	113198, required, included

Notes

Install this product according to the installation instructions.

ADA compliant when installed to the specific requirements of these regulations.