



**Undertone®**  
Under-mount Kitchen Sink  
**K-3325**

**Features**

- 27-inch minimum base cabinet width.
- Single bowl.
- 9-1/2-inch depth provides generous workspace.
- No faucet holes.
- SilentShield® sound-absorption technology offers quieter performance.
- Rear drain increases workspace in the sink and storage space underneath.

**Material**

- 18-gauge stainless steel.

**Installation**

- Under-mount

**Recommended Accessories**

K-6391 Stainless Steel Sink Rack

**Components**

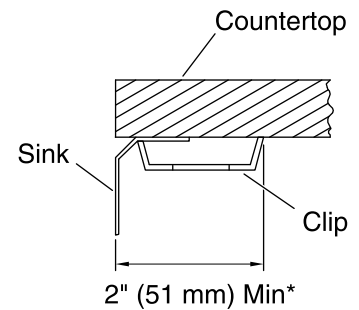
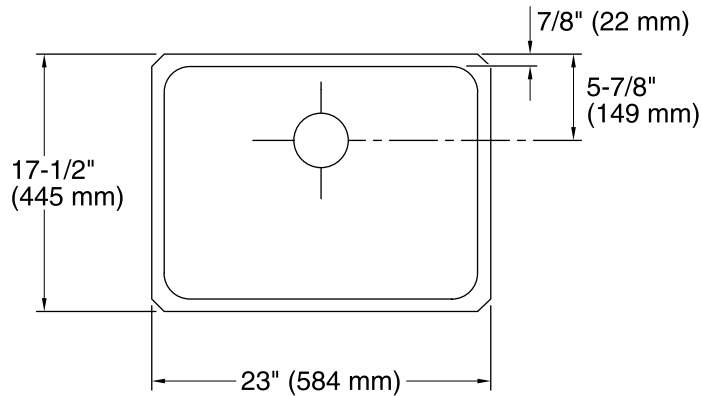
Additional included component/s: Hardware.



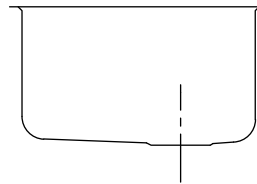
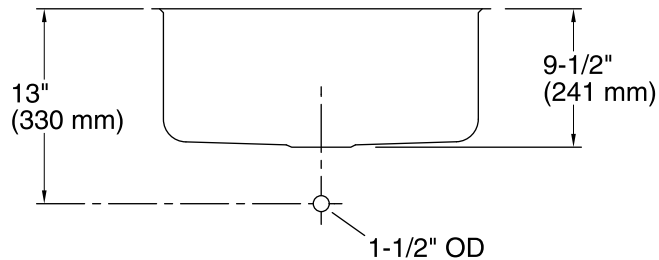
**Codes/Standards**

ASME A112.19.3/CSA B45.4

See website for detailed warranty information.



\* Allow clearance around sink rim for clip attachment.



### Technical Information

All product dimensions are nominal.

Bowl configuration:	Single
Installation:	Under-mount, Under-mount
Bowl area (Center)	Length: 21-1/4" (540 mm) Width: 15-3/4" (400 mm) Bowl depth: 9-1/2" (241 mm) Water depth: 9-1/2" (241 mm)
Template:	Under-mount, 113193-7, required, included

### Notes

Install this product according to the installation instructions.