



Toccata™
Top-mount Bar Sink
K-3349-2

Features

- 18-inch minimum base cabinet width.
- 19-gauge stainless steel.
- Top-mount.
- Single bowl.
- 7-inch depth.
- Two faucet holes.
- With SilentShield® sound-absorption technology.
- 15" (381 mm) x 15" (381 mm)

Optional Accessories

- K-8801 Sink Strainer
- 1177161 Installation Clip Kit

Components

- Product includes:
- 1177160 Hardware Kit, Top-mount



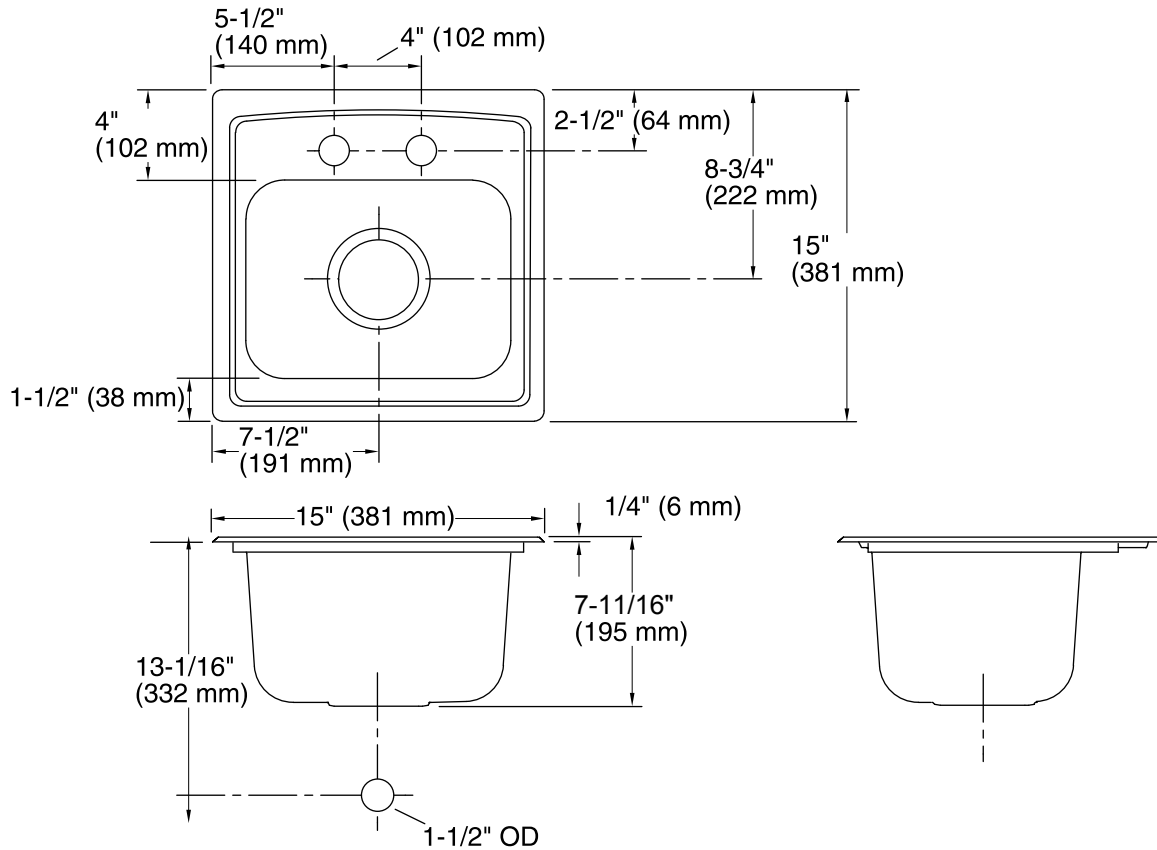
ADA

Codes/Standards

- ASME A112.19.3/CSA B45.4
- ADA
- ICC/ANSI A117.1

**Lifetime Limited Warranty for
KOHLER® Stainless Steel Sinks**

See website for detailed warranty information.



Technical Information

All product dimensions are nominal.

Bowl configuration:	Single
Installation:	Top-mount
Bowl area (Only)	Length: 12" (305 mm) Width: 9-1/2" (241 mm) Bowl depth: 7" (178 mm)
Number of deck holes:	2
Faucet hole(s):	1-7/16" (37 mm)
Drain hole:	3-5/8" (92 mm)

Notes

Install this product according to the installation instructions.

ADA compliant when installed to the specific requirements of these regulations.