



Staccato™
Top-mount Kitchen Sink
K-3369-3

Features

- Double equal bowls.
- Three faucet holes.
- Includes hardwood cutting board.
- 33" (838 mm) x 22" (559 mm)

Material

- 18-gauge stainless steel.

Technology

- Includes SilentShield® sound-absorption system.

Installation

- Top-mount
- Includes installation hardware.

Optional Accessories

- K-3370 Cutting Board
- K-8813 Manual Sink Strainer with Tailpiece
- K-5117 Sink Rack
- K-5119 Sink Rack

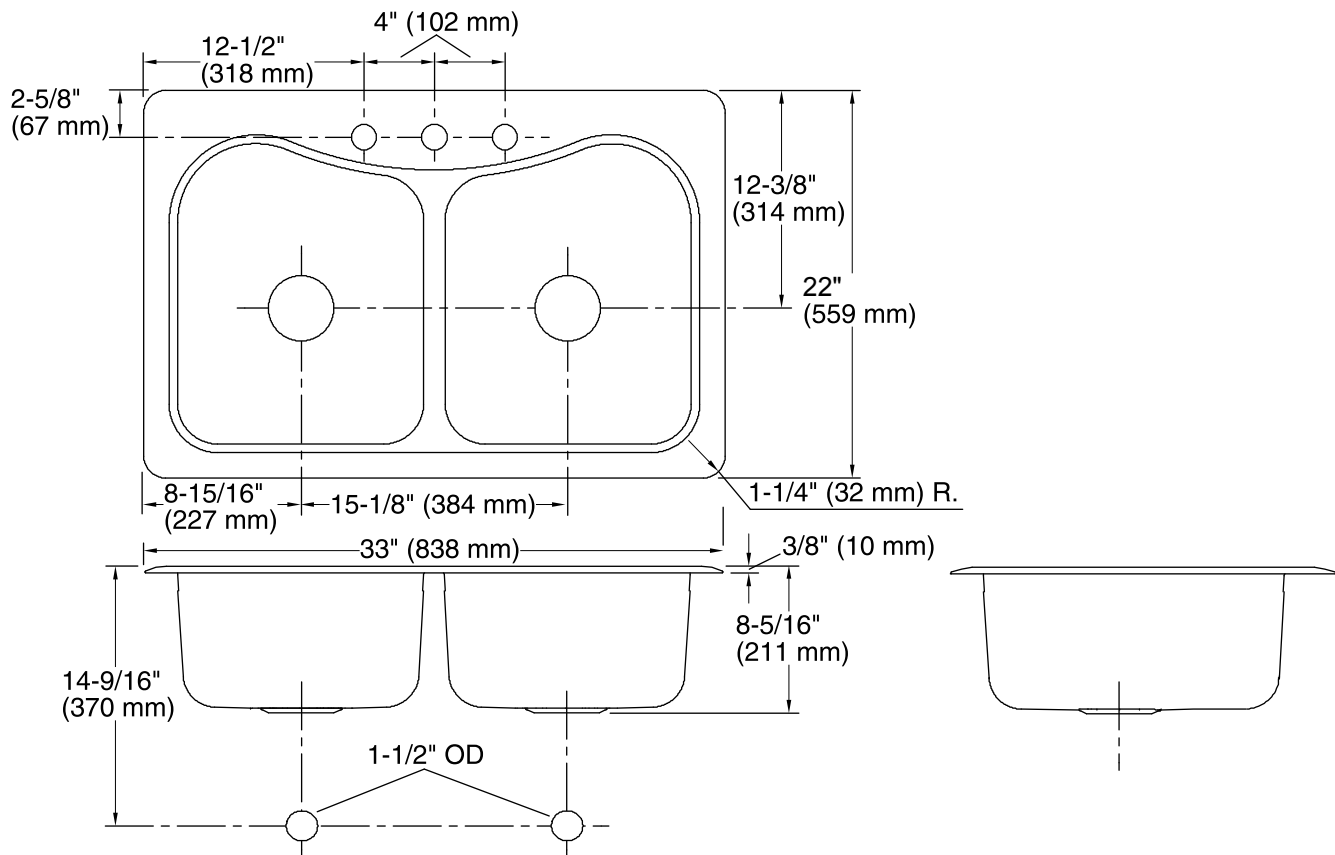


Codes/Standards

ASME A112.19.3/CSA B45.4

**Lifetime Limited Warranty for Kohler
Stainless Steel Sinks**

See website for detailed warranty information.



Technical Information

All product dimensions are nominal.

Bowl configuration: Double equal

Installation: Top-mount

Cutout: Top-mount, 32-1/2" x 21-1/2" (826 mm x 546 mm) with 1" (25 mm) radius corners

Min. base cabinet width: 36" (914 mm)

Bowl area (Left)
 Length: 17-1/16" (433 mm)
 Width: 13-15/16" (354 mm)
 Bowl depth: 8-5/16" (211 mm)
 Water depth: 8" (203 mm)

Bowl area (Right)
 Length: 17-1/16" (433 mm)
 Width: 13-15/16" (354 mm)
 Bowl depth: 8-5/16" (211 mm)
 Water depth: 8" (203 mm)

Number of deck holes: 3

Faucet hole(s): 1-7/16" (37 mm)

Drain hole: 3-5/8" (92 mm)

Notes

Install this product according to the installation instructions.